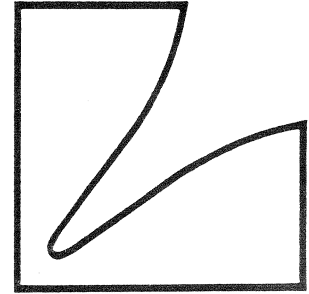
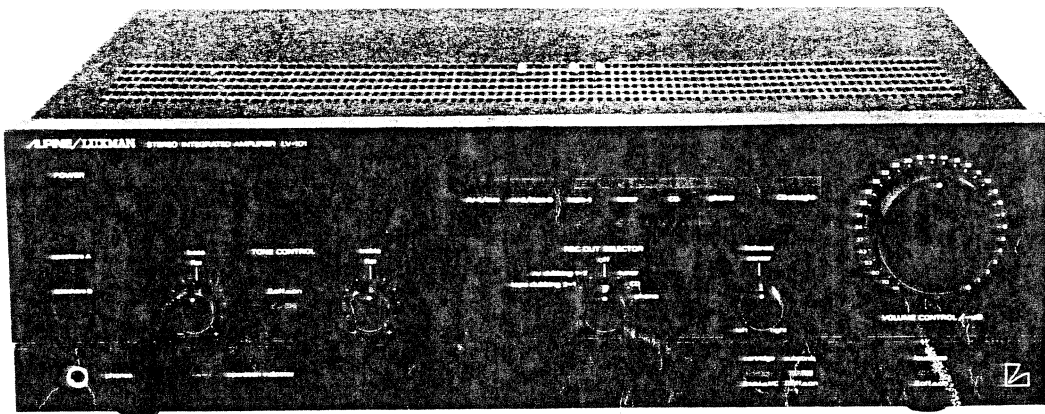


SERVICE MANUAL



Stereo Integrated Amplifier

LV-101



Contents

Specifications	3
Parts Locations and Disassembly Instructions	4 to 8
Adjustment Procedures	9 to 10
Adjustment Locations	11
Block Diagram	12
Parts Layout on P.C. Boards and Wiring Diagram (1/2), (2/2)	13 to 18
Schematic Diagram	19 to 22
Electrical Parts List	23 to 29
Packing Method View	30
Packing Assembly Parts List	30
Exploded View (Cabinet)	31 to 32
Cabinet Assembly Parts List	33
Parts List by Specific Countries	34 to 35
Semiconductor Lead Identifications	36 to 38

Specifications

	JA/AD/UZ/UQ
Power-Output	45W (0.1% THD 20 – 20 kHz)
Headphones Output	(45W/8 Ω – 1 kHz) 650mV \pm 10%
Input Sensitivity (1 kHz):	
TUNER	160mV \pm 15%
CD	160mV \pm 15%
TAPE-1, -2	160mV \pm 15%
AV-1, -2	160mV \pm 15%
PHONO (MM)	2.5mV \pm 15%
PHONO (MC)	210 μ V \pm 15%
Input Impedance (1 kHz):	
TUNER	45K ohm \pm 15%
CD	45K ohm \pm 15%
TAPE-1, -2	45K ohm \pm 15%
AV-1, -2	45K ohm \pm 15%
PHONO (MM)	47K ohm \pm 15%
PHONO (MC)	100 ohm \pm 15%
Frequency Response:	
TUNER	10 – 100 kHz +0.6, –3 dB (For JA, UZ, UQ Model Only) 10 – 50 kHz + 0.6, –3 dB (For AD Model Only)
CD	10 – 100 kHz + 0.6, –3 dB (For JA, UZ, UQ Model Only) 10 – 50 kHz + 0.6, –3 dB (For AD Model Only)
TAPE-1, -2	10 – 100 kHz + 0.6, –3 dB (For JA, UZ, UQ Model Only) 10 – 50 kHz + 0.6, –3 dB (For AD Model Only)
PHONO (MM)	100 Hz \pm 1 dB
PHONO (MC)	10 kHz \pm 1 dB
Signal to Noise Ratio (Input Terminal Shorted):	
TUNER	82 dB
CD	82 dB
TAPE-1, -2	82 dB
AV-1, -2	82 dB
PHONO (MM)	64 dB
PHONO (MC)	42 dB
Power Supply	100V, 50/60 Hz (For JA Model Only) 220V, 50 Hz (For AD Model Only) 120V, 60 Hz (For UZ, UQ Model Only)
Power Consumption	120W (For JA, AD Model Only) 2.3A (For UZ, UQ Model Only)
Semiconductors	7 ICs, 26 Transistors, 12 FETs, 23 Diodes, 8 Zener Diodes, 1 Bridge Diode
Dimensions	438(W) x 138(H) x 363(D) mm
Weight	8.5 kg

NOTE: Due to continuing product improvement, specifications and design are subject to change without notice.

Parts Locations and Disassembly Instructions

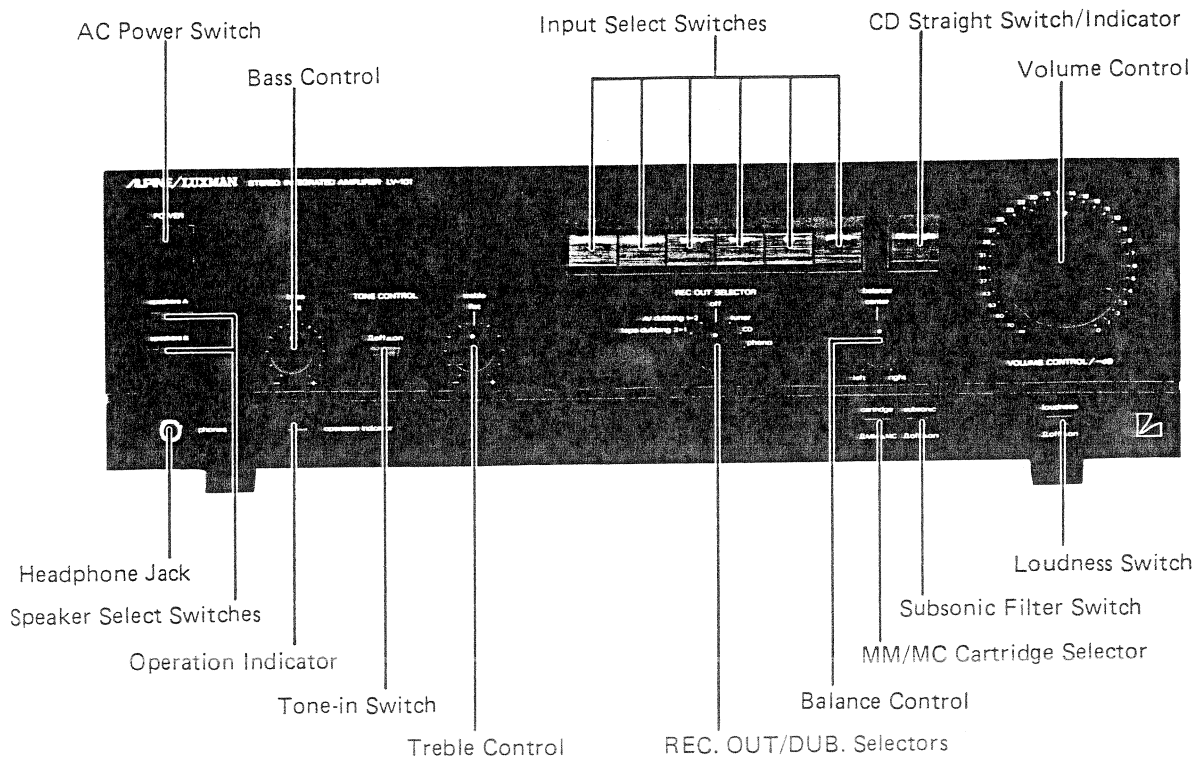


Figure 1

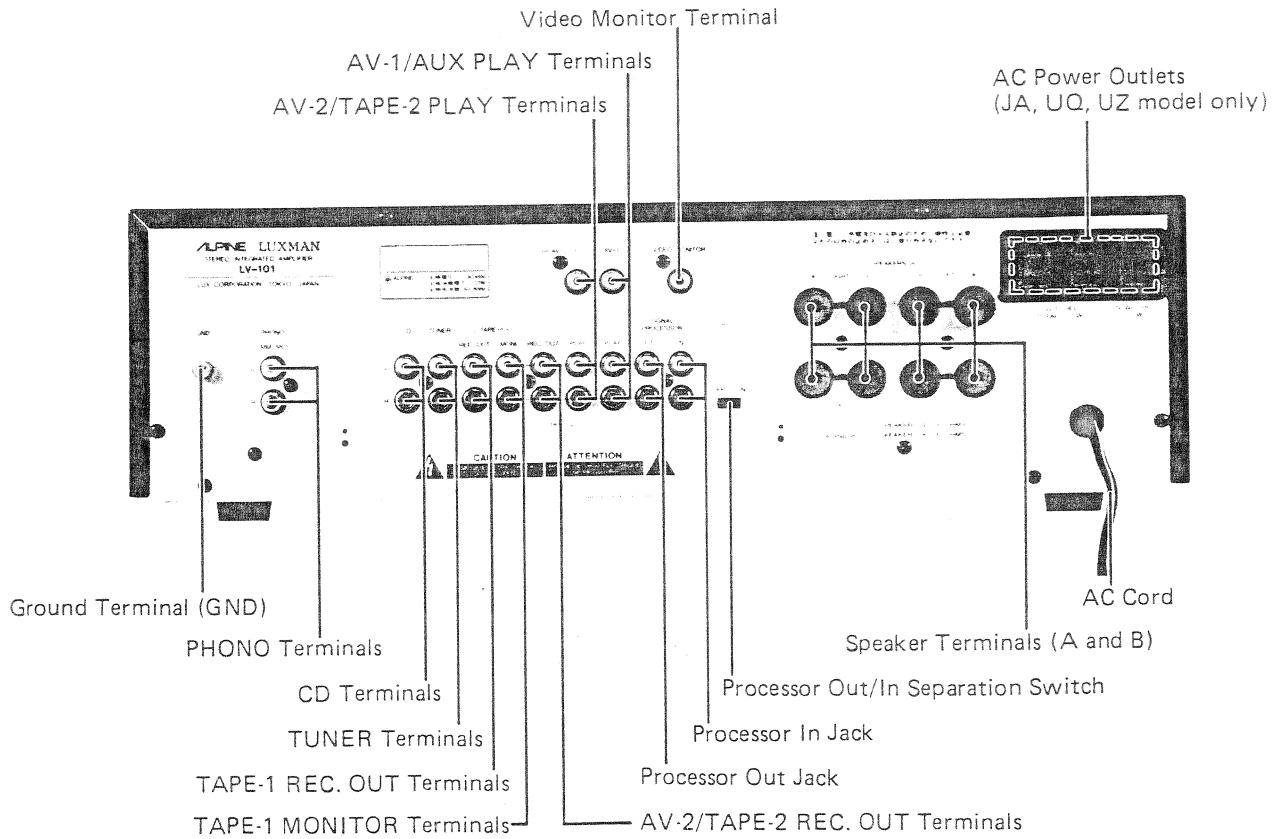


Figure 2

1. Removal of Top Cover

- (1) Remove six screws marked "○" as shown in Figures 3, 4 and 5.
- (2) Pull out the top cover in the direction of the arrow as shown in Figure 3.

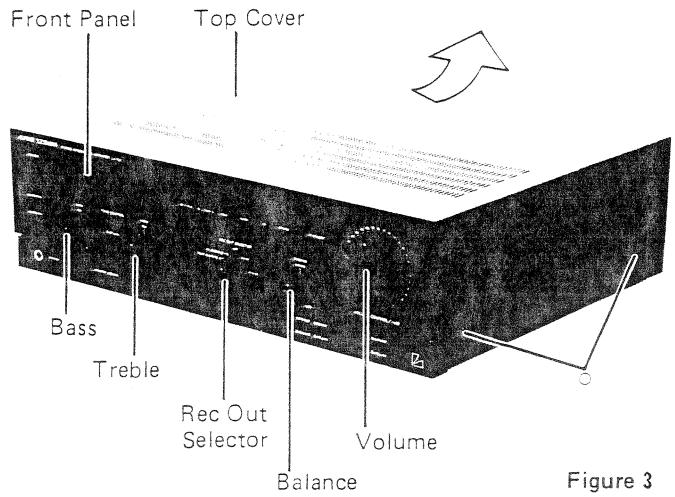


Figure 3

2. Removal of Front Panel

- (1) Remove six screws marked "△" as shown in Figures 4 and 6.

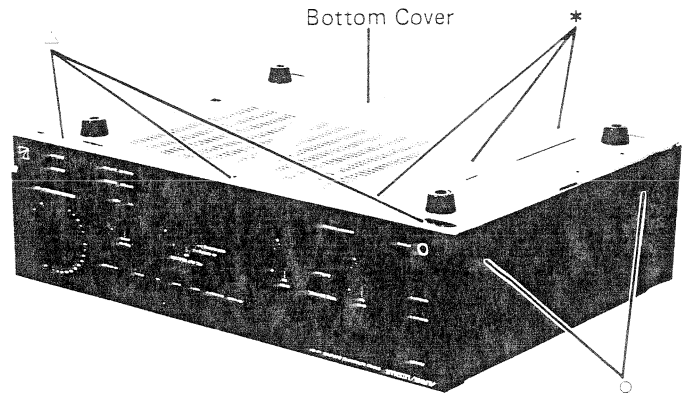


Figure 4

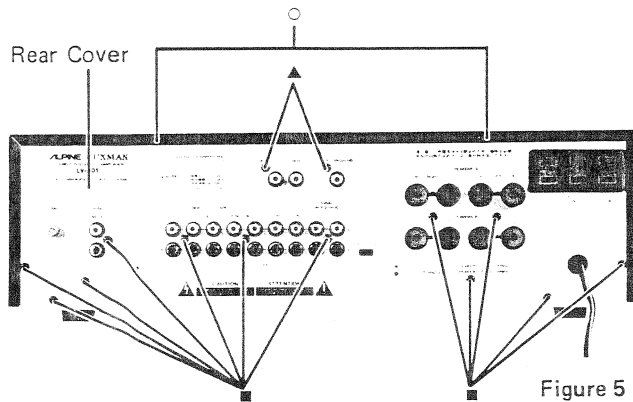


Figure 5

3. Removal of Front Chassis

- (1) After removal of front panel, remove three control knobs (power, speakers A, speakers B), remove six screws marked "□" as shown in Figure 7.
- (2) Disconnect all wires and connector (A) from the front chassis as shown in Figure 6.
- (3) The front chassis with Function Pilot LED, Headphone, Tone, and Control P.C. Board can be removed completely.

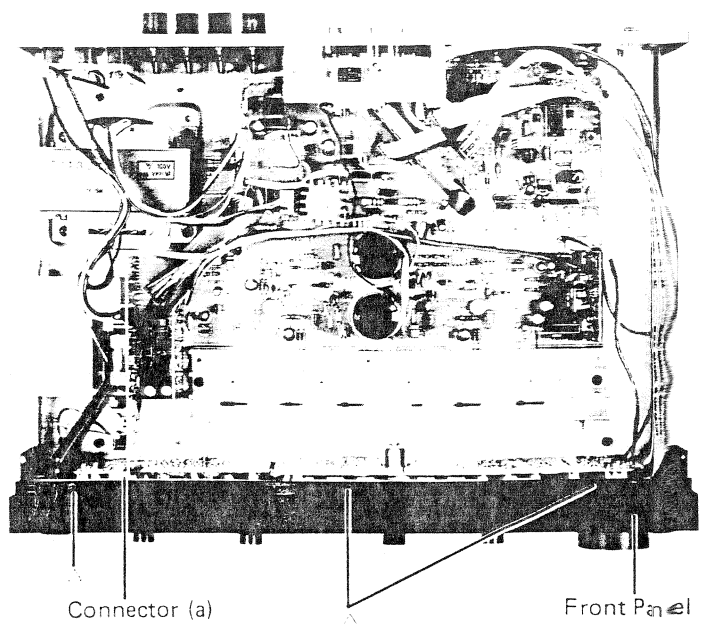


Figure 6

4. Removal of Function LED P.C. Board

- (1) After removal of front chassis remove one rivet push marked "※" as shown in Figure 7.
- (2) Disconnect the connector from the Function LED P.C. Board.

5. Removal of Pilot LED P.C. Board

- (1) Remove one rivet push marked "★" as shown in Figure 7.
- (2) Disconnect one connector from the Pilot LED P.C. Board.

6. Removal of Headphone P.C. Board

- (1) Remove one nut (a) and one washer (a) as shown in Figures 7 and 8.
- (2) Disconnect one connector from the Headphone P.C. Board.

7. Removal of Tone P.C. Board

- (1) Remove three control knobs (bass, tone, treble), remove two nuts (b) and two washer (b) and remove two screws marked "◆" as shown in Figures 3, 7 and 8.
- (2) Disconnect all wires from the Tone P.C. Board.

8. Removal of Control P.C. Board

- (1) Remove three control knobs (rec out selector, balance, volume), remove seven spacer switches and remove three push knobs (cartridge, subsonic, loudness) as shown in Figures 3, 7 and 8.
- (2) Remove six screws marked "●", remove three nuts (c) and three washers (c) as shown in Figures 7 and 8.
- (3) Disconnect all wires from the Control P.C. Board.

9. Removal of Speaker Switch P.C. Board

- (1) After removal of front chassis, remove two screws marked "◇" as shown in Figure 9.
- (2) Remove two connectors (b) as shown in Figure 10.
- (3) Disconnect all wires from the Speaker Switch P.C. Board.

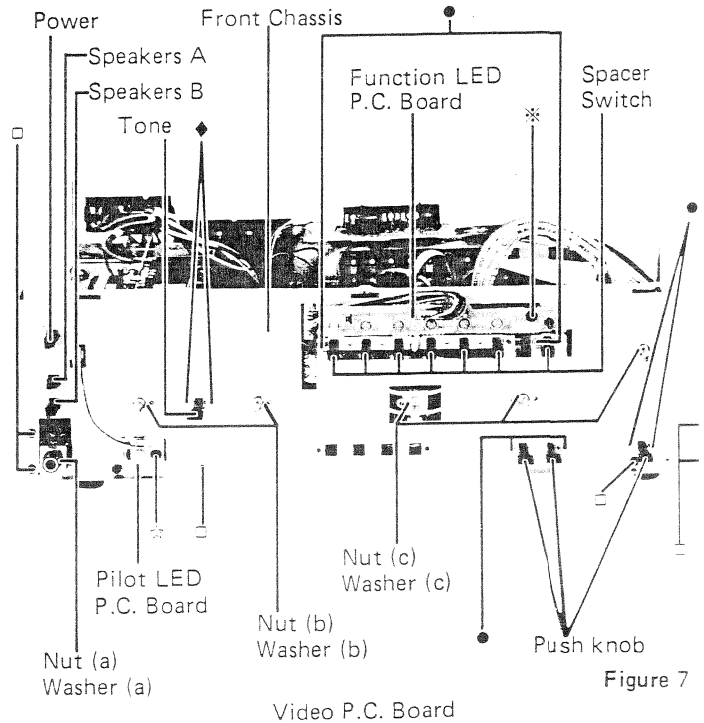


Figure 7

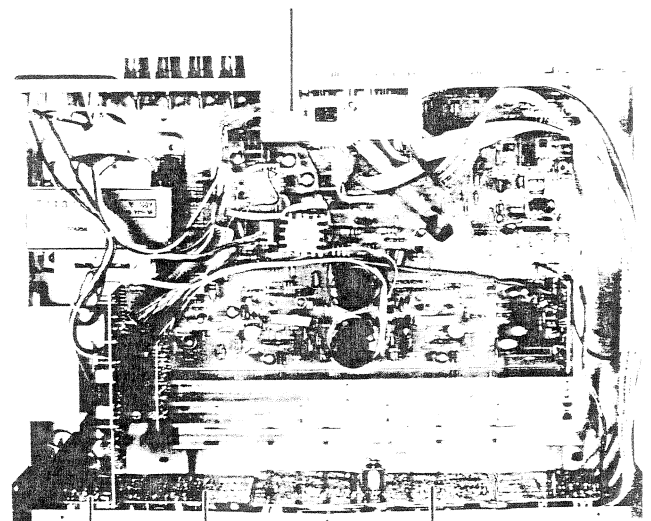
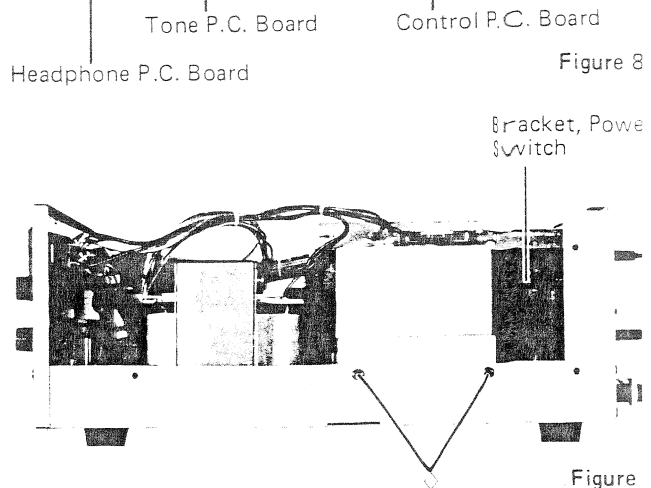


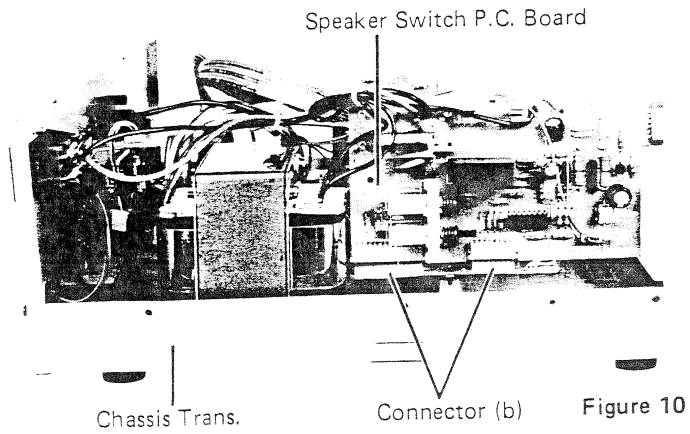
Figure 8



Figure

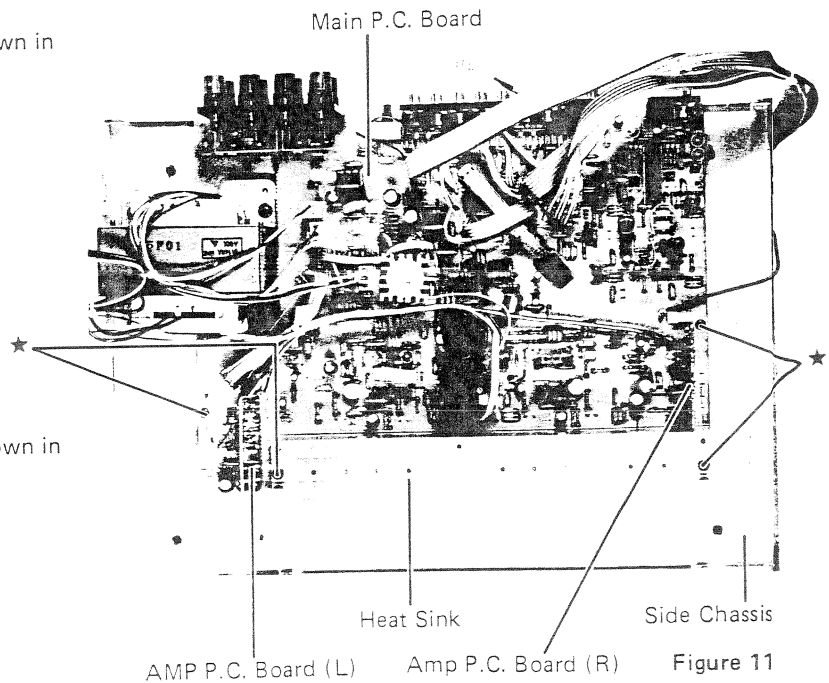
10. Removal of Video P.C. Board

- (1) Remove two screws marked "▲" as shown in Figures 5 and 8.
- (2) Disconnect one connector from the Video P.C. Board.



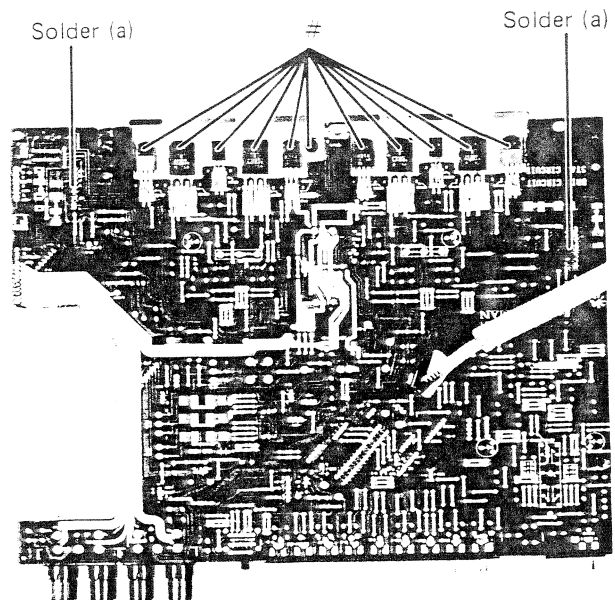
11. Removal of Rear Cover

- (1) Remove twelve screws marked "■" as shown in Figure 5.
- (2) Disconnect all wires from the rear cover.



12. Removal of Bottom Cover

- (1) Remove three screws marked "*" as shown in Figure 4.



13. Removal of Main P.C. Board

- (1) Remove four screws marked "*" as shown in Figure 11.
- (2) Remove eleven screws marked "#" as shown in Figure 12.
- (3) Disconnect all wires from the Main P.C. Board.

14. Removal of AMP P.C. Board (L), (R)

- (1) After removal of bottom cover remove solders (a) as shown in Figures 11 and 12.

分解方法

1. 上蓋の外し方

- (1) 6本のネジ“○”を外します。(図3, 4, 5参照)
- (2) 上蓋を矢印の方向に引きながら外します。
(図3参照)

2. 前面パネルの外し方

- (1) 6本のネジ“△”を外しますと前面パネルは外れます。
(図4, 6参照)

3. 前面シャーシの外し方

- (1) 前面パネルを外した後、3個のコントロールつまみ(パワー、スピーカーA、スピーカーB)を外します。その後6本のネジ“□”を外します。(図7参照)
- (2) 前面シャーシから、全部のワイヤとコネクターA(a)を離します。(図6参照)
- (3) 前面シャーシを外す時にファンクション、パイロットLED、ヘッドホン、トーン、コントロール基板も共に外せます。

4. ファンクションLED基板の外し方

- (1) 前面シャーシを外した後、1本のプッシュリベット“※”を外します。(図7参照)
- (2) ファンクションLED基板から全部のコネクターを離しますとファンクションLED基板は外れます。

5. パイロットLED基板の外し方

- (1) 1本のプッシュリベット“☆”を外します。(図7参照)
- (2) パイロットLED基板から1個のコネクターを離しますとパイロットLED基板は外れます。

6. ヘッドホン基板の外し方

- (1) ナット(a)とワッシャー(a)を外します。(図7, 8参照)
- (2) ヘッドホン基板から1個のコネクターを離しますとヘッドホン基板は外れます。

7. トーン基板の外し方

- (1) 3個のコントロールつまみ(バス、トーン、トレブル)を外し、2個のナット(b)とワッシャー(b)を外します。
(図3, 7, 8参照)
- (2) トーン基板から全部のワイヤを離しますとトーン基板は外れます。

8. コントロール基板の外し方

- (1) 3個のコントロールつまみ(録音出力切換、バランス、ボリューム)を外し、7個のスペーサスイッチと3個のプッシュつまみ(カートリッジ、サブソニック、ラウドネス)を外します。(図3, 7, 8参照)
- (2) 6本のネジ“●”, 3個のナット(c)とワッシャー(c)を外します。(図7, 8参照)
- (3) コントロール基板から全部のワイヤを離しますとコントロール基板は外れます。

9. スピーカースイッチ基板の外し方

- (1) 前面シャーシを外した後、2本のネジ“◇”を外します。
(図9参照)
- (2) 2個のコネクター(b)を外します。(図10参照)
- (3) スピーカースイッチ基板から全部のワイヤを離しますとスピーカースイッチ基板は外れます。

10. ビデオ基板の外し方

- (1) 2本のネジ“▲”を外します。(図5, 8参照)
- (2) ビデオ基板から1個のコネクターを離しますとビデオ基板は外れます。

11. 後面カバーの外し方

- (1) 12本のネジ“■”を外します。(図5参照)
- (2) 後面カバーから全部のワイヤを離しますと後面カバーは外れます。

12. 底蓋の外し方

- (1) 3本のネジ“*”を外しますと底蓋は外れます。(図4参照)

13. メイン基板の外し方

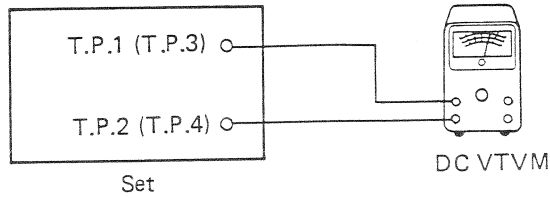
- (1) 4本のネジ“★”を外します。(図11参照)
- (2) 11本のネジ“≡”を外します。(図12参照)
- (3) メイン基板から全部のワイヤを離しますとメイン基板は外れます。

14. アンプ基板(L), (R)の外し方

- (1) 底蓋を外した後、2箇所(半田付(a))を離しますとアンプ基板(L), (R)は外れます。(図11, 12参照)

Adjustment Procedures

1. Connection



2. Control Setting

- Power Switch ON
- Volume Control Minimum Position
- Balance Control Center Position
- Treble, Bass Control. Center Position
- Tone In Switch. OFF
- REC OUT Selector Switch OFF
- Cartridge Switch MM
- SP. Switch SP. A
- Others. OFF
- SP. A Terminal 8 ohm Load (Both Channel)

3. Adjustment Procedures

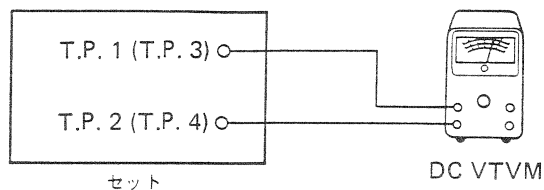
Idling Adjustment

Adjust VR7101 (VR7102) until 10mV is obtained between T.P.1 (T.P.3) and T.P.2 (T.P.4).

Note: This adjustment should be made approx. 30 minutes often the power on or voltage becomes sufficiently steady state.

調整方法

1. 接続図



2. コントロール・セッティング

- パワー・スイッチ ON
- ボリューム・コントロール 最小位置 (左回しいっぱい)
- バランス・コントロール 中央位置
- トレブル・コントロール 中央位置
- バス・コントロール 中央位置
- トーンイン・スイッチ OFF
- 録音出力切換・スイッチ OFF
- カートリッジ・スイッチ MM
- スピーカー・スイッチ スピーカー (A)
- スピーカー (A)・端子 8オーム負荷 (両チャンネル)
- その他 OFF

3. 調整手順

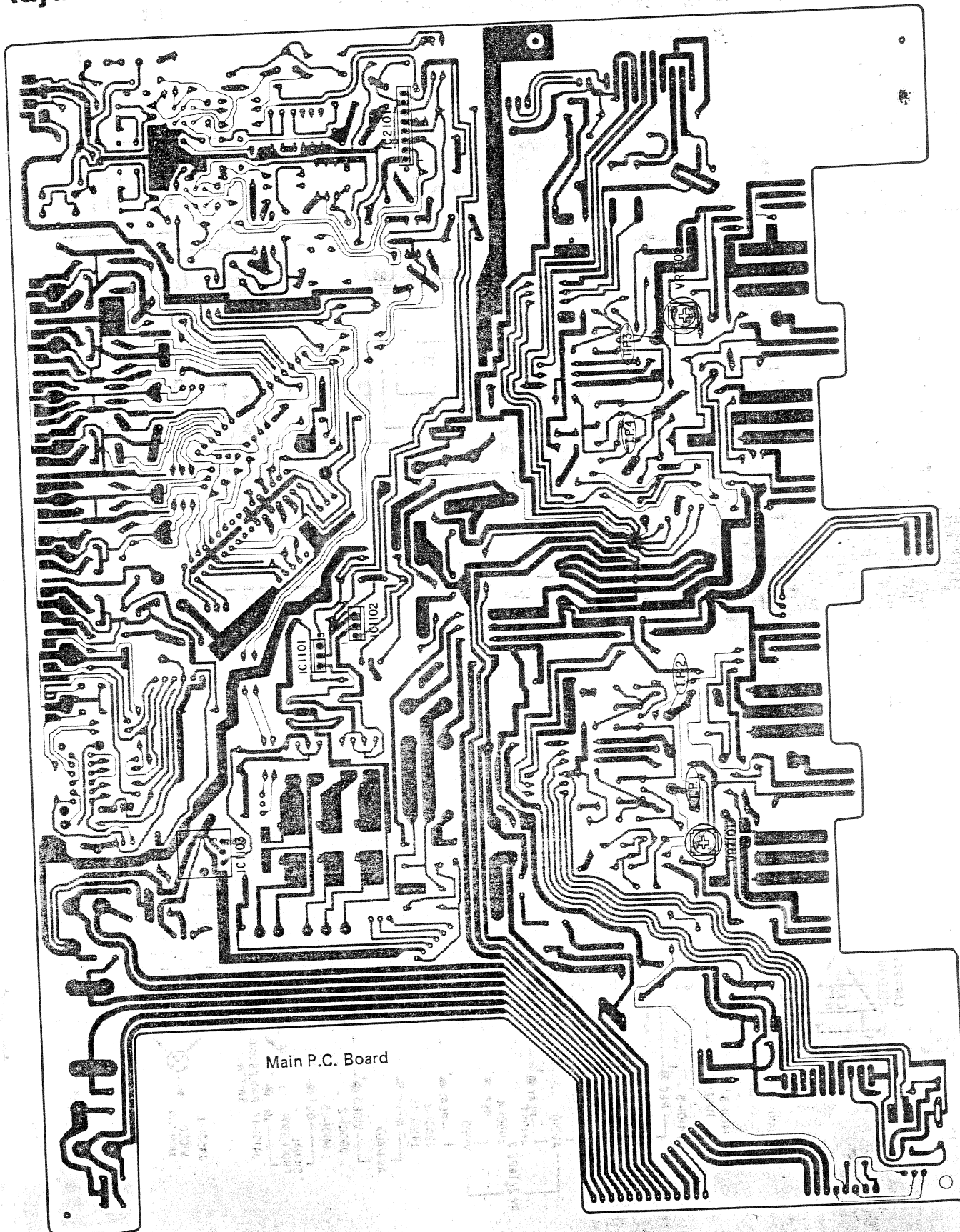
アイドリング調整

T.P.1 (T.P.3) と T.P.2 (T.P.4) 間の電圧が10mVになるように VR7101 (VR7102) を調整します。

注) この調整は電源をONにして約30分経って電圧の変動がなくなった後調整して下さい。

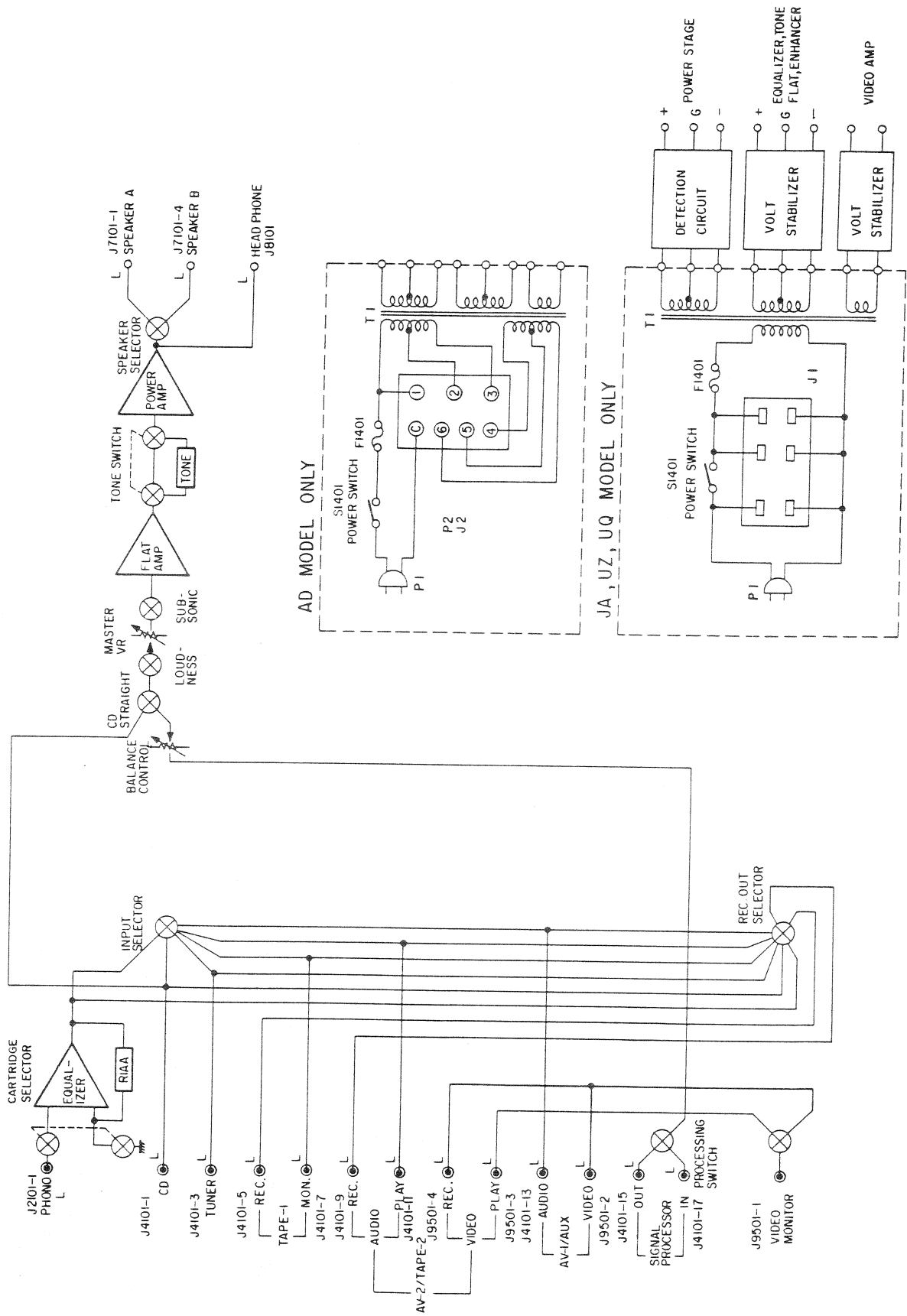
Block Diagram

Adjustment Locations



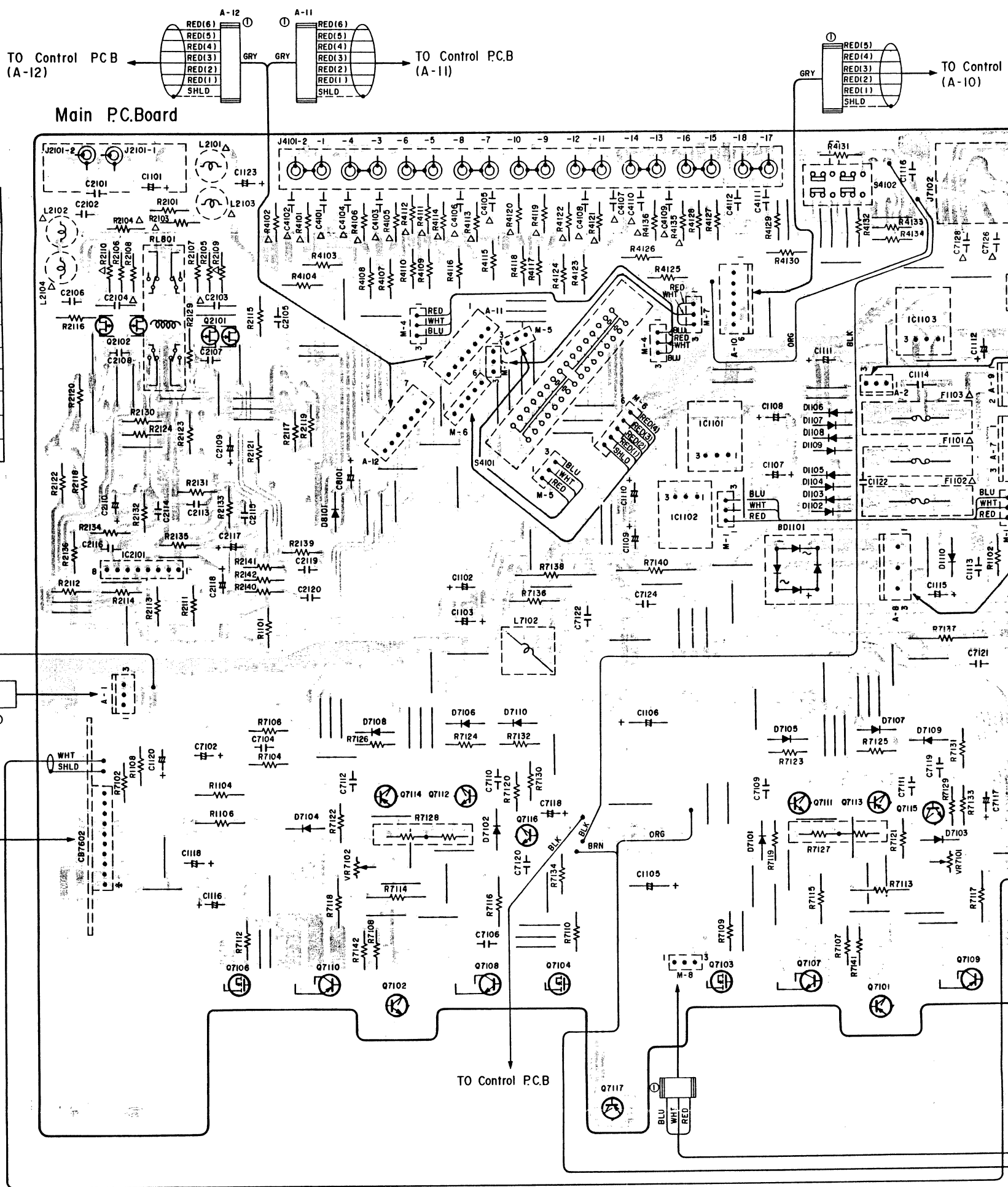
TEL
TEL
TEL

Block Diagram



Parts Layout on P.C. Boards and Wiring Diagram (1/2)

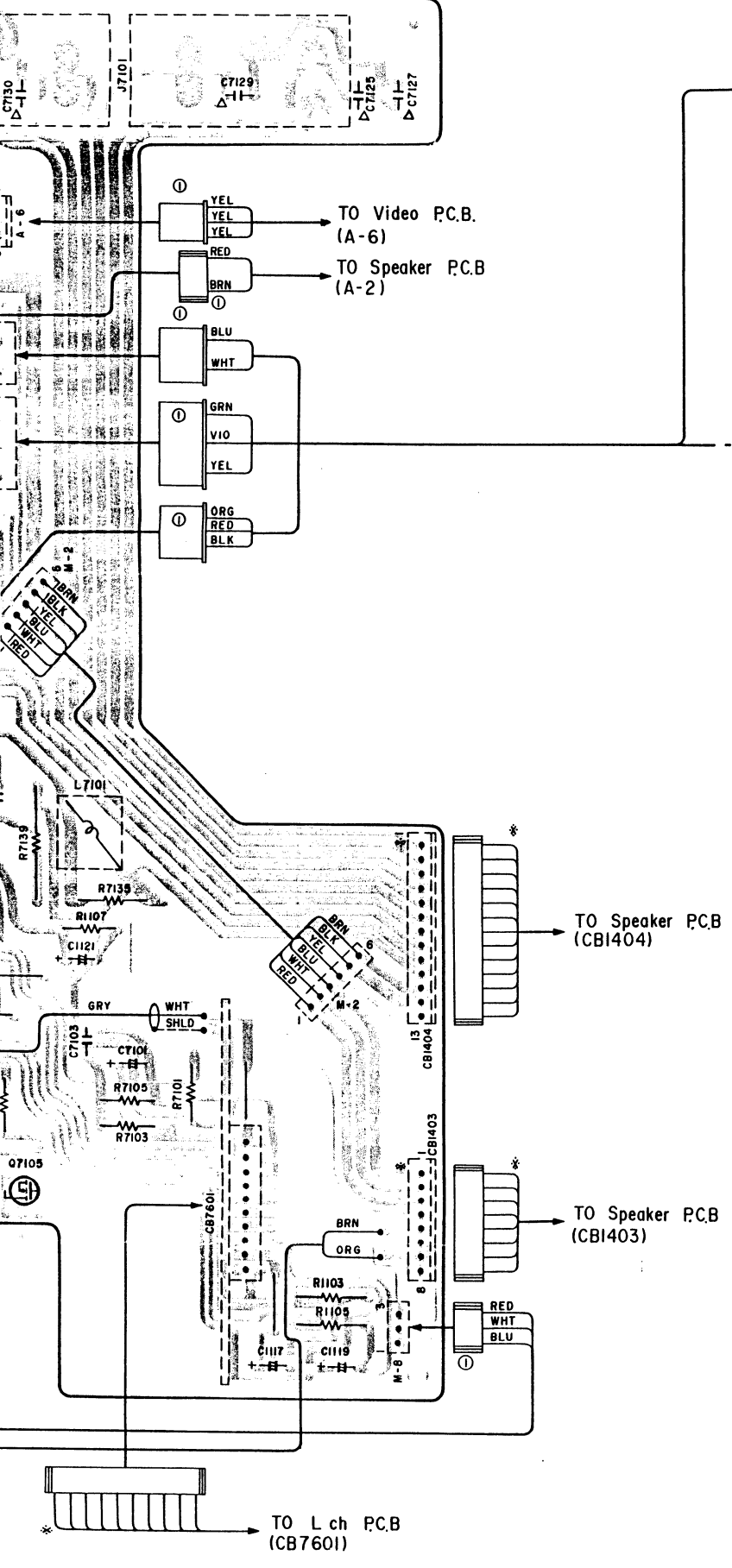
Symbol No.	AD model	JA/UZ/UQ model
R4101,4102 R4105,4106 R4119~4122 R4111~4114 R4135, 4136	Used	Jumper wire
R2103,2104	Used	Jumper wire
R2109,2110	Jumper wire	Used
C4101~4110	Used	Not Used
C7125~7128	Used	Not Used
C7129,7130	Used	Not Used
C2103,2104	Used	Not Used
L2101~2104	Used	Not Used
F1101~1103	Used	Not Used



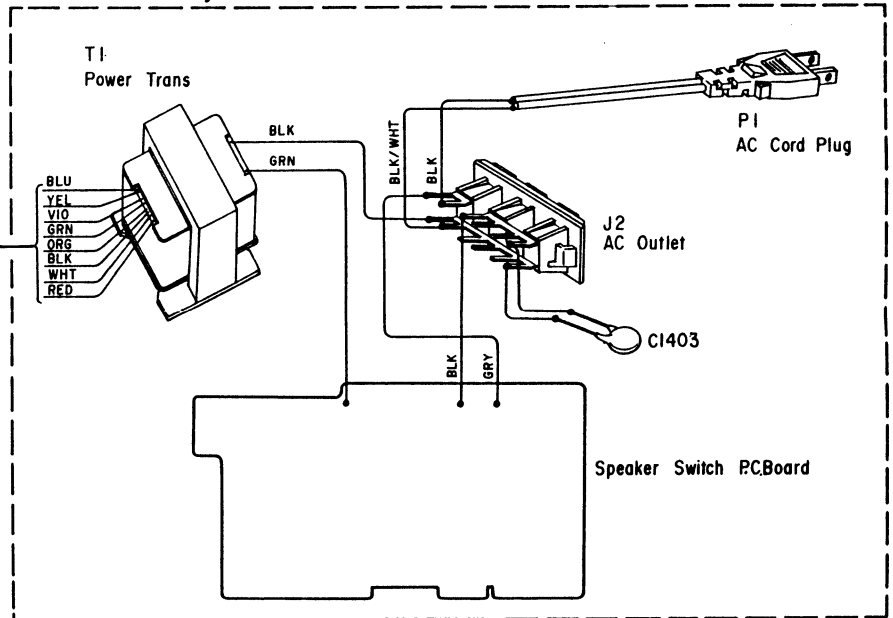
- BLU Blue
- GRN Green
- BLK Black
- GRY Gray
- WHT White
- RED Red
- BRN Brown
- ORG Orange
- YEL Yellow
- VIO Violet
- GRN/WHT Green/White
- GRY/WHT Gray/White
- GRY/YEL Gray/Yellow
- GRN/YEL Green/Yellow

C.B.

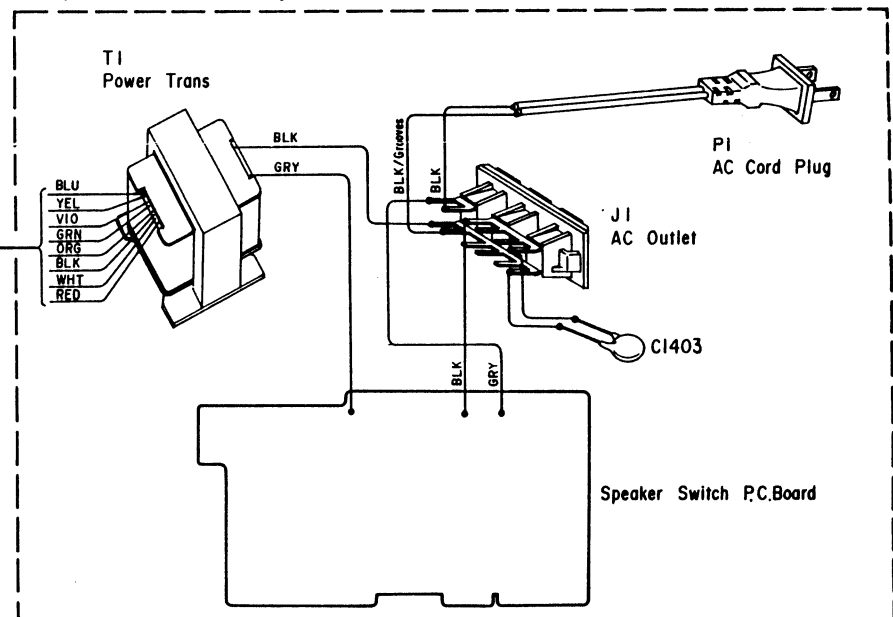
For parts marked Δ, refer to Table shown Left



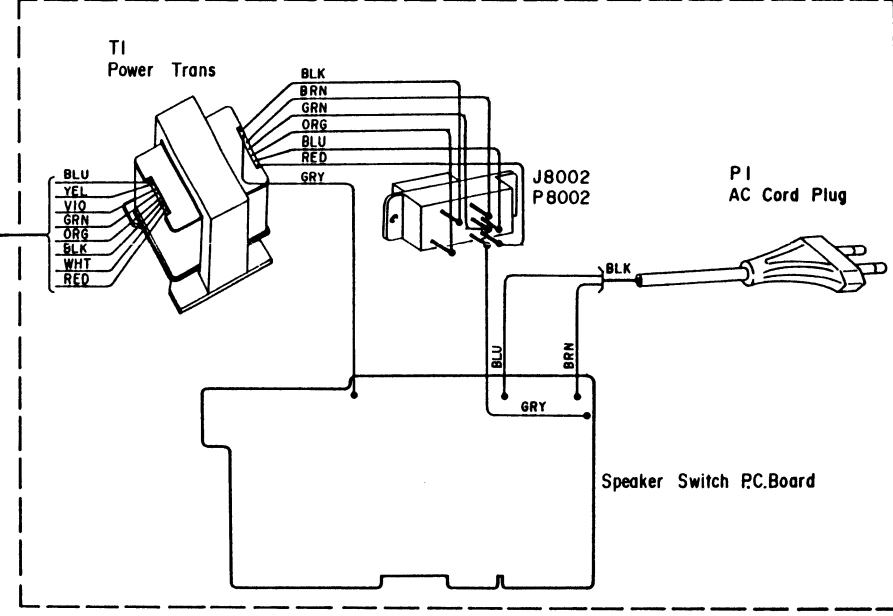
JA Model Only



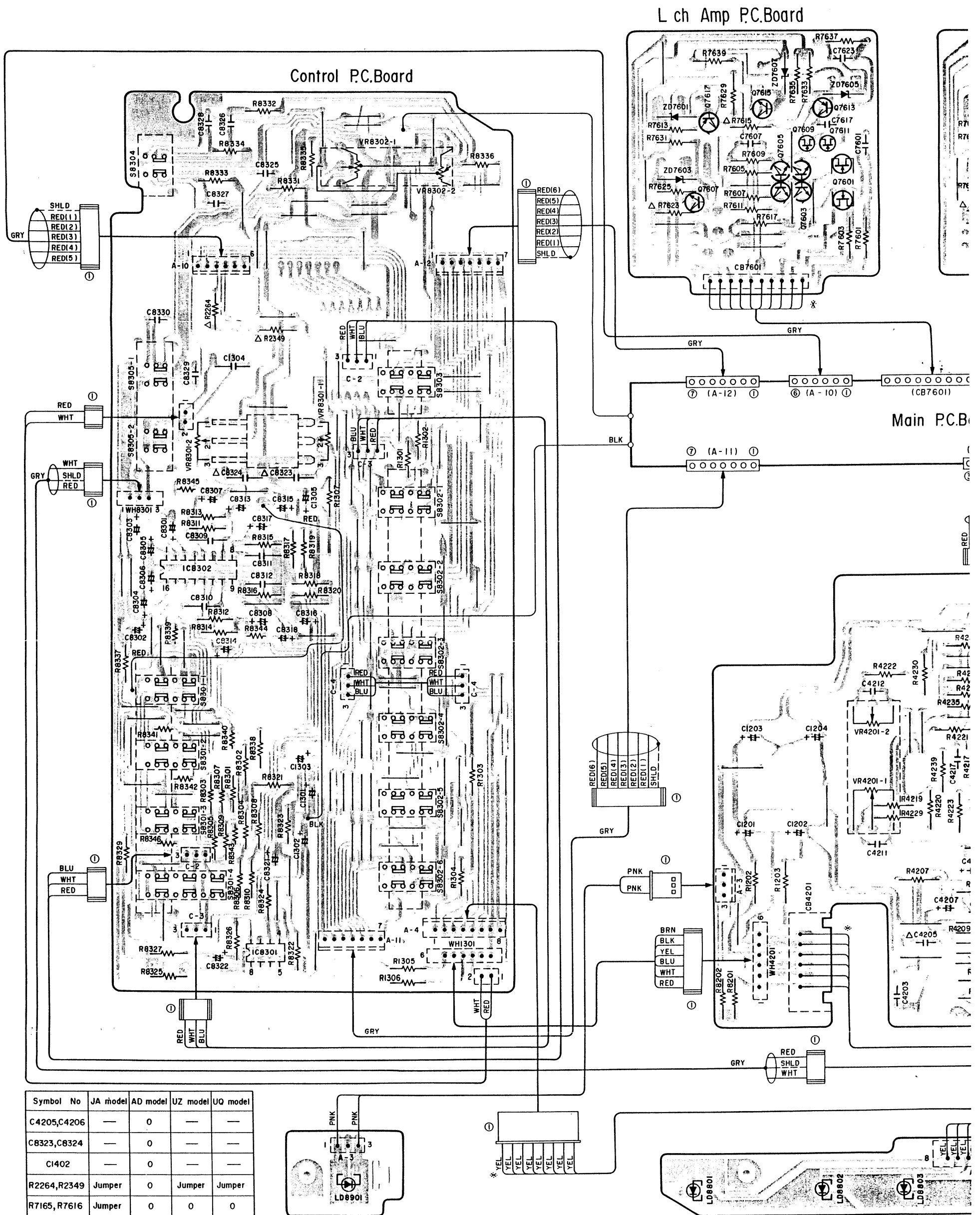
UZ, UQ Model Only



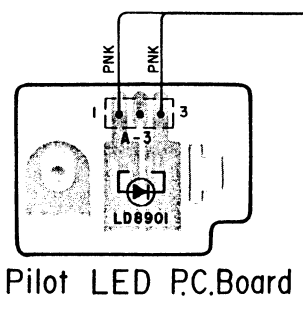
AD Model Only



Parts Layout on P.C. Boards and Wiring Diagram (2/2)

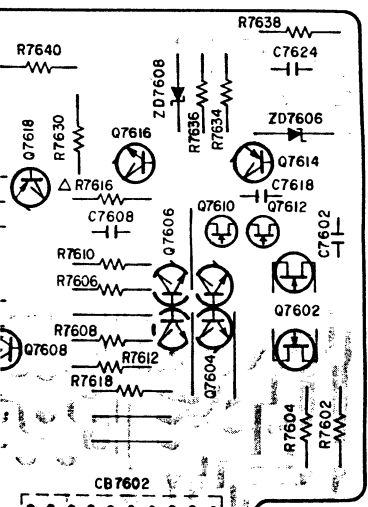


Symbol No	JA model	AD model	UZ model	UQ model
C4205, C4206	—	0	—	—
C8323, C8324	—	0	—	—
C1402	—	0	—	—
R2264, R2349	Jumper	0	Jumper	Jumper
R7165, R7616	Jumper	0	0	0
R7623, R7624	Jumper	0	0	0
W 2	0	—	0	0
W 4, W 5	—	0	—	—

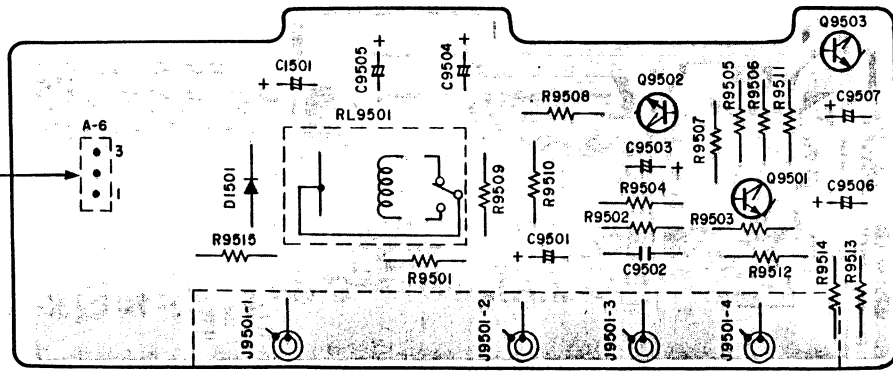


Pilot LED P.C. Board

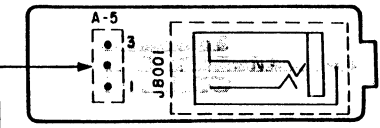
Amp P.C.Board



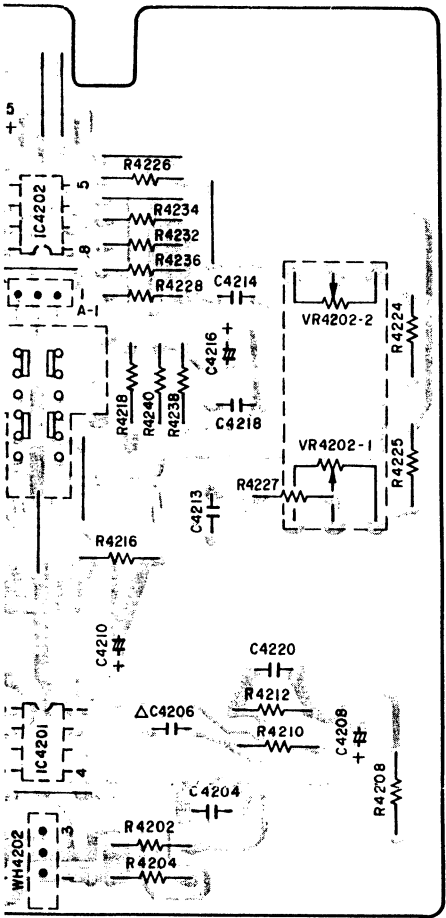
Video P.C.Board



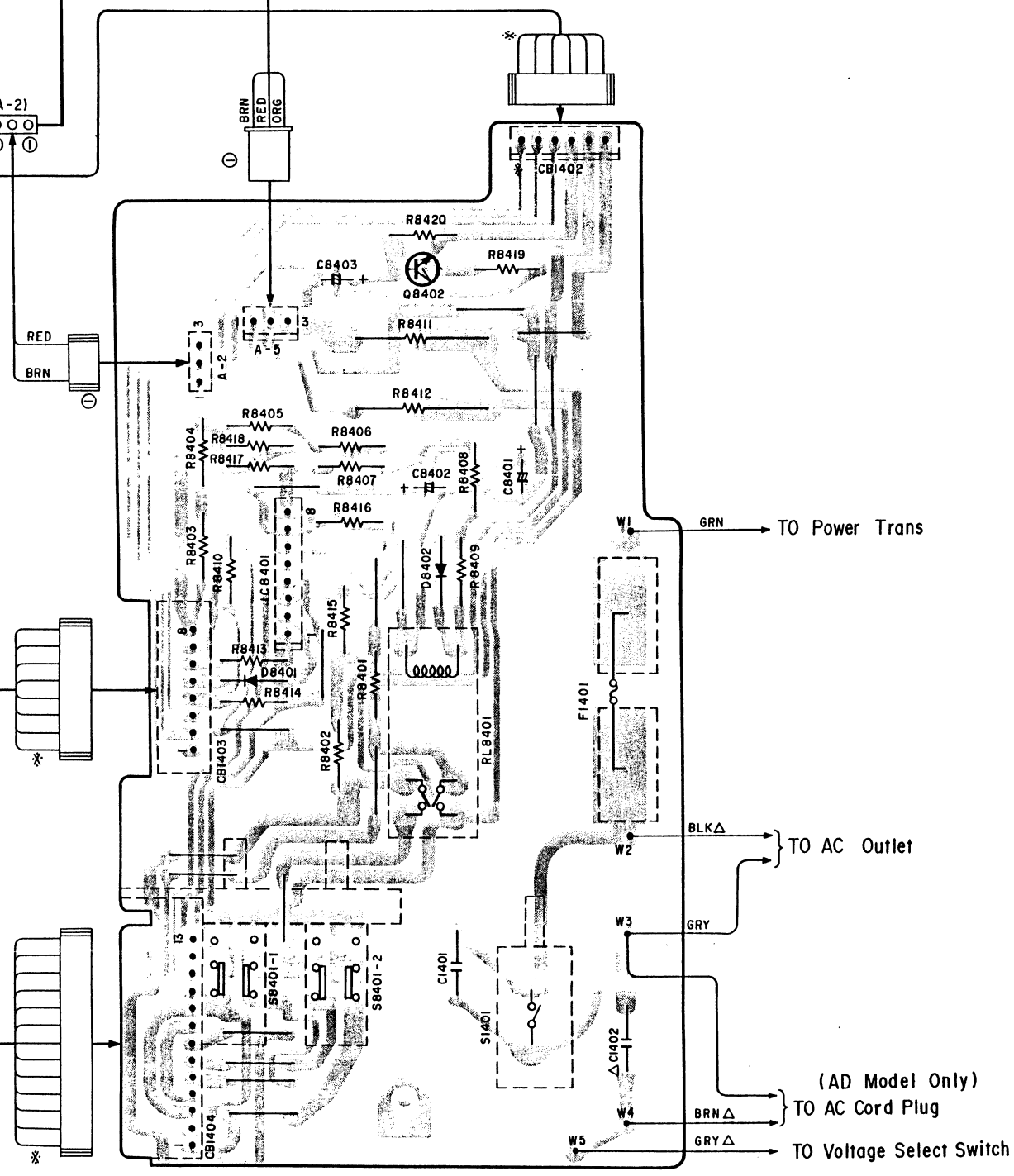
Headphone P.C.Board



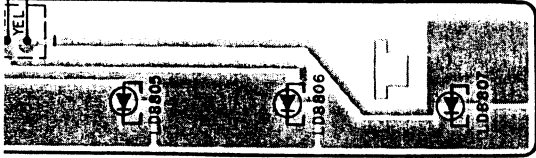
Tone P.C.Board



Speaker Switch P.C.Board



Function LED P.C.Board

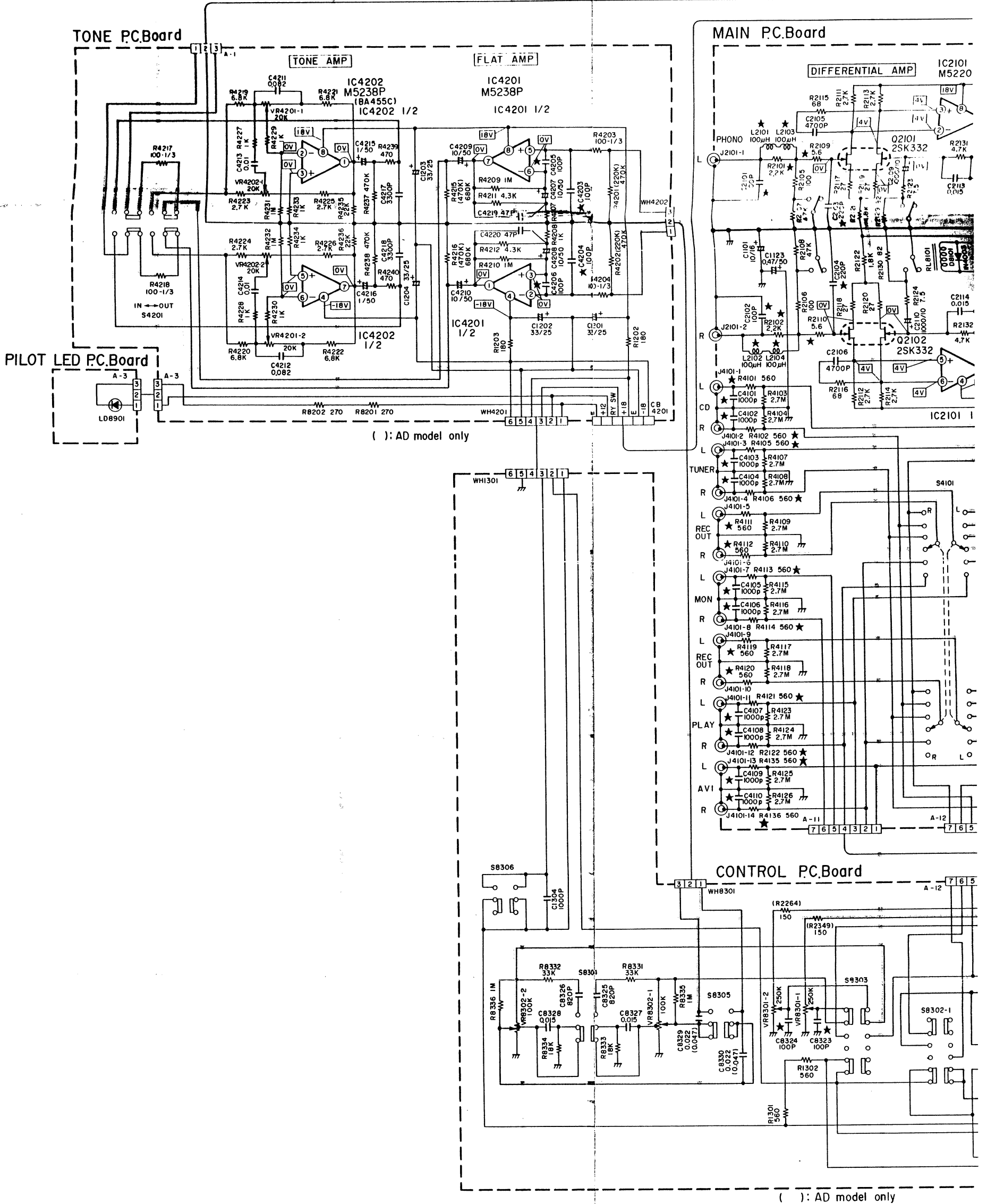


For marked Δ, refer to table shown left.

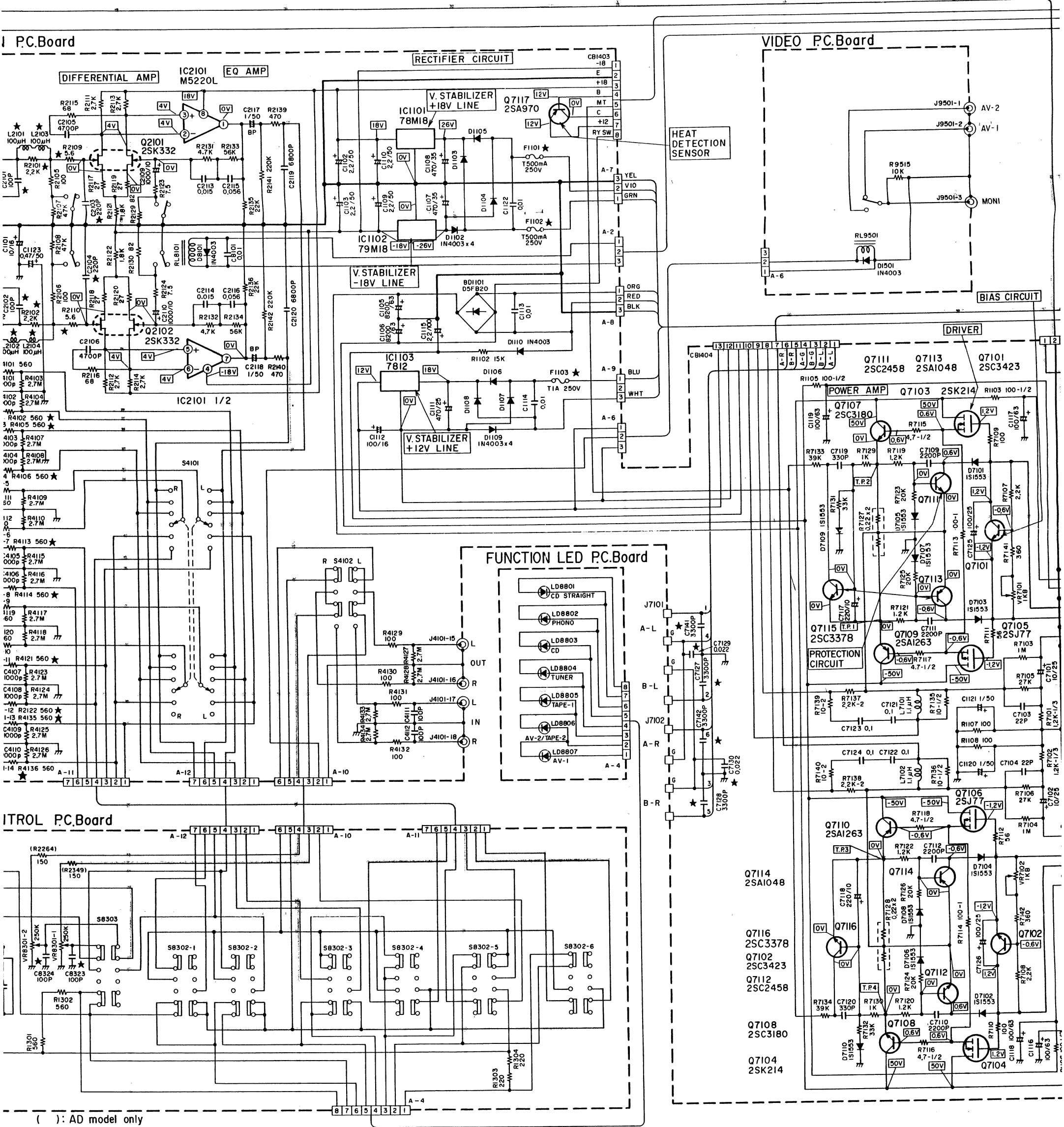
BLU	Blue
GRN	Green
BLK	Black
GRY	Gray
WHT	White
RED	Red
BRN	Brown
ORG	Orange
YEL	Yellow
VIO	Violet
GRN/WHT	Green/White
GRY/WHT	Gray/White
GRY/YEL	Gray/Yellow
GRN/YEL	Green/Yellow

Schematic Diagram

IC	IC4202	IC4201	IC2101
TRANSISTOR(Q)			Q2101 Q2102
DIODE (D,LD,ZD)	LD8901		DB101

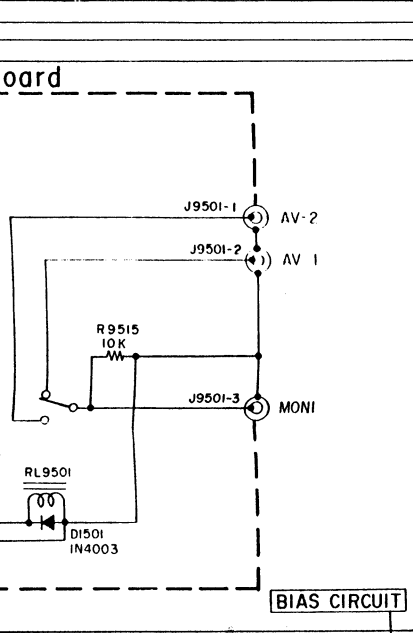


IC2101	IC1101 IC1102 IC1103	Q7117	Q7107 Q7109 Q7110 Q7108	Q7111 Q7113 Q7114 Q7112	Q7103 Q7105 Q7106 Q7104	Q7101 Q7102
Q2101 Q2102	D8101	D1102~D1105 D1106~D1110 BD1101 LD8801~LD8807	D7109	D7105 D7107 D7108 D7106	D7101 D7103 D7104 D7102	

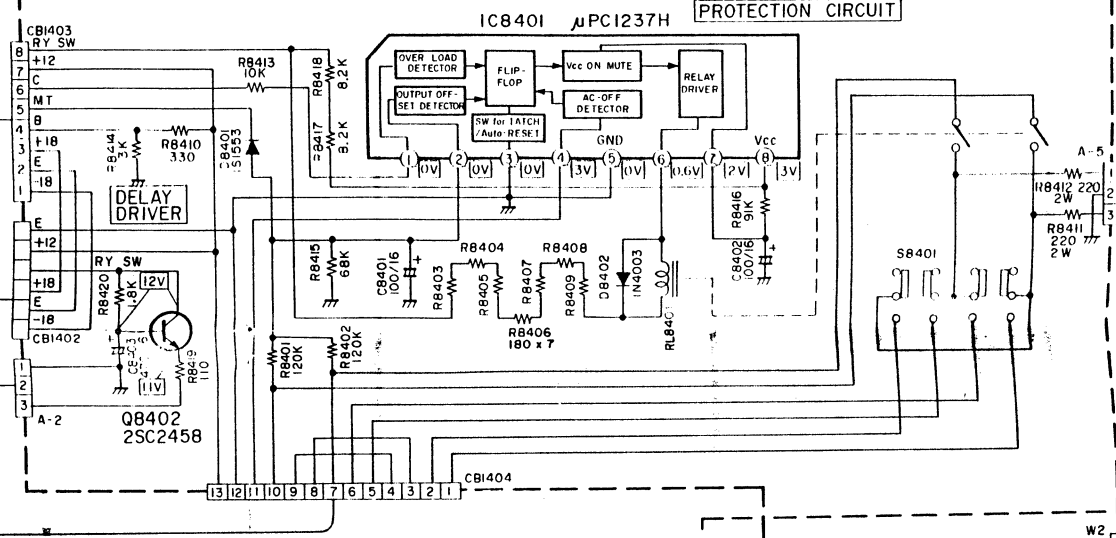


() : AD model only

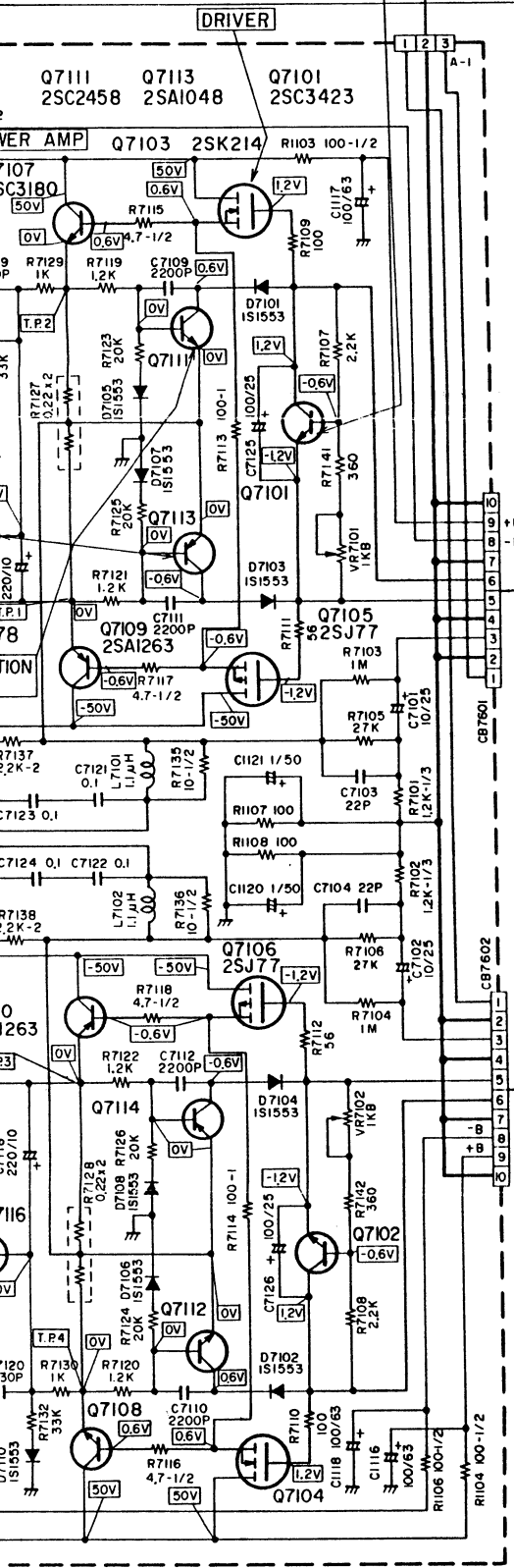
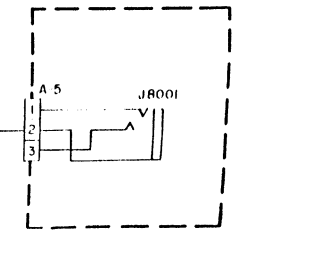
								IC8401		
Q7107	Q7111	Q7103	Q7101	Q7611	Q8402	Q7609	Q7617	Q7605		
Q7109	Q7113	Q7105		Q7615	Q7613	Q7607	Q7607	Q7603		
Q7110	Q7114	Q7106	Q7102	Q7616	Q7614	Q7608	Q7608	Q7601		
Q7108	Q7112	Q7104		Q7612	Q7610	Q7618	Q7602, Q7604, Q7606			
D1501	D7105	D7101		D8401	ZD7601			D8402		
	D7107	D7103		ZD7605	ZD7607	ZD7603				
	D7108	D7104		ZD7606	ZD7608	ZD7604				
D7110	D7106	D7102				ZD7602				



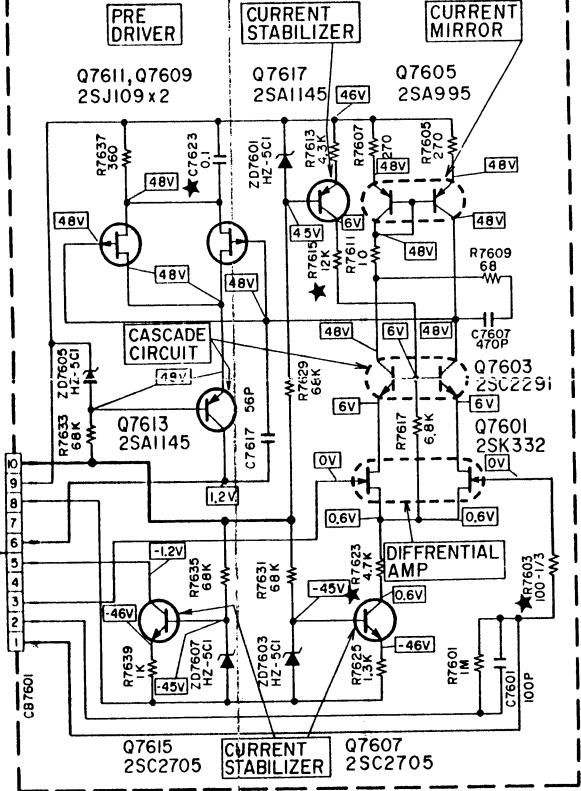
SPEAKER SWITCH P.C. Board



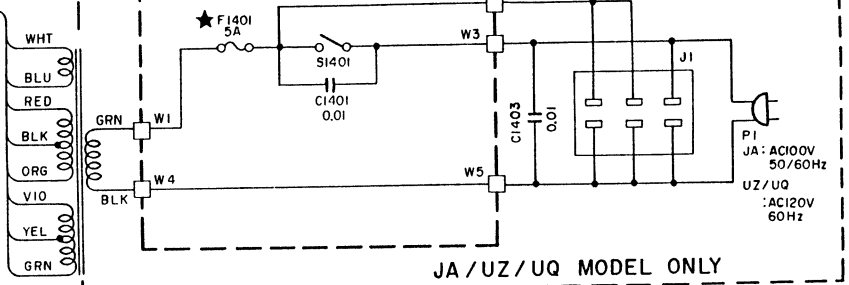
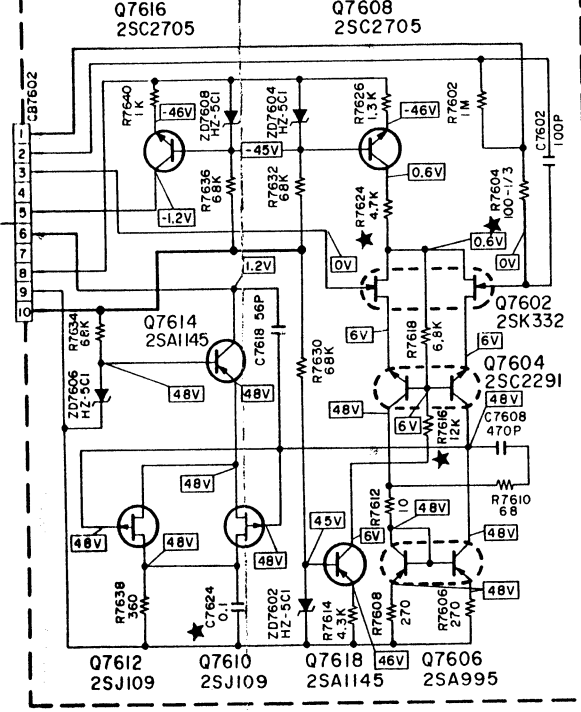
HEADPHONE P.C. Board



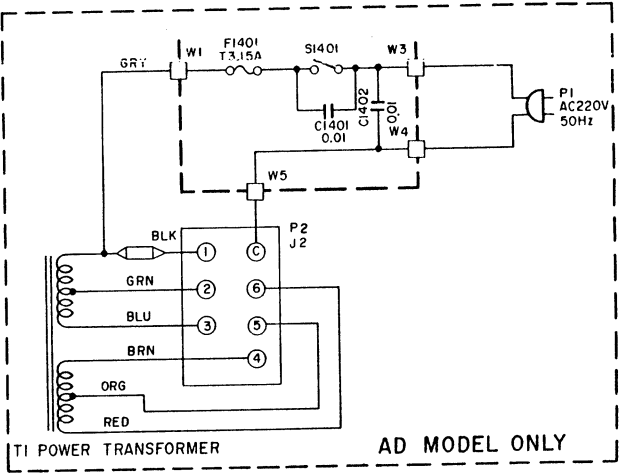
AMP P.C. Board (L)



AMP P.C. Board (R)



TI POWER TRANSFORMER



TI POWER TRANSFORMER

For parts marked * refer to parts list & parts layout on p.c.board.

NOTES:
1. All resistance values are in ohms. K = 1,000
2. All capacitance values are in microfarads. P = $\frac{1}{1,000,000}$

LV-101

Electrical Parts List

Resistors: Carbon resistors under 1/4 watts are not mentioned in the parts list, please confirm them by schematic diagram.
 μF = microfarads, pF = picofarads

Symbol No.	Part No.	Description
Main P.C. Board		
IC's		
IC1101 or IC1102 or IC1103 or IC2101	51T72830F01 51T71941F01 51T72829F01 51T71940F01 51T60588F01 51T72601F01 51T72167F01	NJM78M18A 78M18 NJM79M18A 79M18 NJM7812 AN7812 M5220L
Transistors		
Q2101 Q2102 Q7111 or Q7112 or Q7113 or Q7114 or Q7115 or Q7116 or	48T72887F01 48T72887F01 48T61054F01 48S43525F03 48T61054F01 48S43525F03 48T71759F01 48T51118F02 48T71759F01 48T51118F02 48T80986F01 48T53301F01 48T80986F01 48T53301F01	FET, 2SK332 FET, 2SK332 2SC2458 2SC1815 2SC2458 2SC1815 2SA1048L 2SA1015 2SA1048L 2SA1015 2SC3378 2SC2240 2SC3378 2SC2240
Diodes		
BD1101 D1102 D1103 D1104 D1105 D1106 D1107 D1108 D1109 D1110	48T67435F01 48S40477U01 48S40477U01 48S40477U01 48S40477U01 48S40477U01 48S40477U01 48S40477U01 48S40477U01 48S40477U01	Bridge D5FB20 1N4003 1N4003 1N4003 1N4003 1N4003 1N4003 1N4003 1N4003 1N4003

Symbol No.	Part No.	Description
D7101 or D7102 or D7103 or D7104 or D7105 or D7106 or D7107 or D7108 or D7109 or D7110 or D8101	48T71195F01 48T68764F01 48T71195F01 48T68764F01 48T71195F01 48T68764F01 48T71195F01 48T68764F01 48T71195F01 48T68764F01 48T71195F01 48T68764F01 48T71195F01 48T68764F01 48T71195F01 48T68764F01 48T71195F01 48T68764F01 48S40477U01	1S1553 1S2471 1S1553 1S2471 1S1553 1S2471 1S1553 1S2471 1S1553 1S2471 1S1553 1S2471 1S1553 1S2471 1N4003
Coils		
▲ L2101 ▲ L2102 ▲ L2103 ▲ L2104 L7101 L7102	24T63929F26 24T63929F26 24T63929F26 24T63929F26 24T74614F01 24T74614F01	Inductor, 100 μH Inductor, 100 μH Inductor, 100 μH Inductor, 100 μH Inductor, 1.1 μH Inductor, 1.1 μH
Relay/Switches/Fuses		
RL8101 S4101 S4102 ▲ F1101 ▲ F1102 ▲ F1103	80T72831F01 40T61979F03 40T71732F01 65T42077U13 65T42077U13 65T42077U16	Relay, G6A-434P-12VDC Slide, SSR266 Slide, 1KEY SSSP Fuse, Semko T-500mA Fuse, Semko T-500mA Fuse, Semko T-1A
Jacks		
J2101 J4101 J7101 J7102	09T72605F01 09T72606F01 09T70238F04 09T70238F03	Plate, Pin-2P Plate, Pin-18P Terminal, Speaker T5968L Terminal, Speaker T5968R

Note: ▲ : For West Germany model only (AD)
 Others: Common

Symbol No.	Part No.	Description	Symbol No.	Part No.	Description
Capacitors					
C1101	23S40657F10	Electrolytic 10 uF/16V	C2109	23T68328F07	Electrolytic 1000 uF/10V
C1102	23S40657F29	Electrolytic 2.2 uF/50V	C2110	23T68328F07	Electrolytic 1000 uF/10V
C1103	23S40657F29	Electrolytic 2.2 uF/50V	■ C2113	08T57851F03	TF 0.015 uF
C1105	23T71048F01	Electrolytic 8200 uF/63V	● C2113	08T68632F15	Polyester 0.015 uF
C1106	23T71048F01	Electrolytic 8200 uF/63V	▲ C2113	08T68632F15	Polyester 0.015 uF
C1107	23T68328F44	Electrolytic 470 uF/35V	★ C2113	08T68632F15	Polyester 0.015 uF
C1108	23T68328F44	Electrolytic 470 uF/35V	■ C2114	08T57851F03	TF 0.015 uF
C1109	23S40657F29	Electrolytic 2.2 uF/50V	● C2114	08T68632F15	Polyester 0.015 uF
C1110	23S40657F29	Electrolytic 2.2 uF/50V	▲ C2114	08T68632F15	Polyester 0.015 uF
C1111	23T68328F31	Electrolytic 470 uF/25V	★ C2114	08T68632F15	Polyester 0.015 uF
C1112	23S40657F14	Electrolytic 100 uF/16V	■ C2115	08T57851F10	TF 0.056 uF
C1113	21T68834F01	Ceramic 0.01 uF	● C2115	08T68632F22	Polyester 0.056 uF
C1114	21T68834F01	Ceramic 0.01 uF	▲ C2115	08T68632F22	Polyester 0.056 uF
C1115	23S40657F46	Electrolytic 2.2 uF/100V	★ C2115	08T68632F22	Polyester 0.056 uF
C1116	23T68328F71	Electrolytic 100 uF/63V	■ C2116	08T57851F10	TF 0.056 uF
C1117	23T68328F71	Electrolytic 100 uF/63V	● C2116	08T68632F22	Polyester 0.056 uF
C1118	23T68328F71	Electrolytic 100 uF/63V	▲ C2116	08T68632F22	Polyester 0.056 uF
C1119	23T68328F71	Electrolytic 100 uF/63V	★ C2116	08T68632F22	Polyester 0.056 uF
C1120	23S40657F28	Electrolytic 1 uF/50V	C2117	23T42477F16	Electrolytic (B.P) 1 uF/50V
C1121	23S40657F28	Electrolytic 1 uF/50V	C2118	23T42477F16	Electrolytic (B.P) 1 uF/50V
C1122	21T68834F01	Ceramic 0.01 uF	■ C2119	08T57851F34	TF 6800 pF
C1123	23S40657F27	Electrolytic 0.47 uF/50V	● C2119	08T68632F11	Polyester 6800 pF
★ C2101	08T52448F81	Polypropylene 100 pF	▲ C2119	08T68632F11	Polyester 6800 pF
■ C2101	08T52448F81	Polypropylene 100 pF	★ C2119	08T68632F11	Polyester 6800 pF
▲ C2101	08T61642F16	Mica 33 pF	■ C2120	08T57851F34	TF 6800 pF
● C2101	08T52448F81	Polypropylene 100 pF	● C2120	08T68632F11	Polyester 6800 pF
● C2102	08T52448F81	Polypropylene 100 pF	▲ C2120	08T68632F11	Polyester 6800 pF
★ C2102	08T52448F81	Polypropylene 100 pF	★ C2120	08T68632F11	Polyester 6800 pF
▲ C2102	08T61642F16	Mica 33 pF	▲ C4101	08S40805F07	Ceramic 1000 pF
■ C2102	08T52448F81	Polypropylene 100 pF	▲ C4102	08S40805F07	Ceramic 1000 pF
▲ C2103	08S44505P41	Ceramic 220 pF	▲ C4103	08S40805F07	Ceramic 1000 pF
▲ C2104	08S44505P41	Ceramic 220 pF	▲ C4104	08S40805F07	Ceramic 1000 pF
■ C2105	08T57851F32	TF 4700 pF	▲ C4105	08S40805F07	Ceramic 1000 pF
● C2105	08T68632F09	Polyester 4700 pF	▲ C4106	08S40805F07	Ceramic 1000 pF
▲ C2105	08T68632F09	Polyester 4700 pF	▲ C4107	08S40805F07	Ceramic 1000 pF
★ C2105	08T68632F09	Polyester 4700 pF	▲ C4108	08S40805F07	Ceramic 1000 pF
■ C2106	08T57851F32	TF 4700 pF	▲ C4109	08S40805F07	Ceramic 1000 pF
● C2106	08T68632F09	Polyester 4700 pF	▲ C4110	08S40805F07	Ceramic 1000 pF
▲ C2106	08T68632F09	Polyester 4700 pF	C4111	08T52448F81	Polypropylene 100 pF
★ C2106	08T68632F09	Polyester 4700 pF	C4112	08T52448F81	Polypropylene 100 pF
			C7101	23S40657F17	Electrolytic 10 uF/25V
			C7102	23S40657F17	Electrolytic 10 uF/25V
			C7103	08T61642F12	Mica 22 pF
			C7104	08T61642F12	Mica 22 pF
			■ C7109	08T52448F21	Polypropylene 2200 pF

Note: ● : For Japanese model only (JA), ★ : For North American model only (UZ),
 ■ : For Canadian model only (UQ), ▲ : For West Germany model only (AD),
 Others : Common

Symbol No.	Part No.	Description
● C7109	08T68632F05	Polyester 2200 pF
▲ C7109	08T68632F05	Polyester 2200 pF
★ C7109	08T68632F05	Polyester 2200 pF
■ C7110	08T52448F21	Polypropylene 2200 pF
● C7110	08T68632F05	Polyester 2200 pF
▲ C7110	08T68632F05	Polyester 2200 pF
★ C7110	08T68632F05	Polyester 2200 pF
■ C7111	08T52448F21	Polypropylene 2200 pF
● C7111	08T68632F05	Polyester 2200 pF
▲ C7111	08T68632F05	Polyester 2200 pF
★ C7111	08T68632F05	Polyester 2200 pF
■ C7112	08T52448F21	Polypropylene 2200 pF
● C7112	08T68632F05	Polyester 2200 pF
▲ C7112	08T68632F05	Polyester 2200 pF
★ C7112	08T68632F05	Polyester 2200 pF
C7117	23S40657F09	Electrolytic 220 uF/10V
C7118	23S40657F09	Electrolytic 220 uF/10V
C7119	08T52448F01	Polypropylene 330 pF
C7120	08T52448F01	Polypropylene 330 pF
■ C7121	08T57851F13	TF 0.1 uF
● C7121	08T68632F25	Polyester 0.1 uF
▲ C7121	08T68632F25	Polyester 0.1 uF
★ C7121	08T68632F25	Polyester 0.1 uF
■ C7122	08T57851F13	TF 0.1 uF
● C7122	08T68632F25	Polyester 0.1 uF
▲ C7122	08T68632F25	Polyester 0.1 uF
★ C7122	08T68632F25	Polyester 0.1 uF
▲ C7122	08T68632F25	Polyester 0.1 uF
★ C7122	08T68632F25	Polyester 0.1 uF
■ C7123	08T57851F13	TF 0.1 uF
● C7123	08T68632F25	Polyester 0.1 uF
▲ C7123	08T68632F25	Polyester 0.1 uF
★ C7123	08T68632F25	Polyester 0.1 uF
■ C7124	08T57851F13	TF 0.1 uF
● C7124	08T68632F25	Polyester 0.1 uF
▲ C7124	08T68632F25	Polyester 0.1 uF
★ C7124	08T68632F25	Polyester 0.1 uF
▲ C7125	23S40657F21	Electrolytic 100 uF/25V
▲ C7126	23S40657F21	Electrolytic 100 uF/25V
▲ C7127	08S40805F13	Ceramic 3300 pF
▲ C7128	08S40805F13	Ceramic 3300 pF
▲ C7129	08S40805F21	Ceramic 0.022 uF
▲ C7130	08S40805F21	Ceramic 0.022 uF
▲ C7141	08S40805F13	Ceramic 3300 pF
▲ C7142	08S40805F13	Ceramic 3300 pF
C8101	08S40805F19	Ceramic 0.01 uF

Symbol No.	Part No.	Description
Resistors (M.O.: Metal Oxide Film Resistor)		
R1103	06T73182F41	M.O. 100 ohm 1/2W
or	06T00003L41	M.O. 100 ohm 1/2W
or	06T55176F41	Metal Film 100 ohm 1/2W
R1104	06T73182F41	M.O. 100 ohm 1/2W
or	06T00003L41	M.O. 100 ohm 1/2W
or	06T55176F41	Metal Film 100 ohm 1/2W
R1105	06T73182F41	M.O. 100 ohm 1/2W
or	06T00003L41	M.O. 100 ohm 1/2W
or	06T55176F41	Metal Film 100 ohm 1/2W
R1106	06T73182F41	M.O. 100 ohm 1/2W
or	06T00003L41	M.O. 100 ohm 1/2W
or	06T55176F41	Metal Film 100 ohm 1/2W
R7101	06T00013L67	Carbon Film 1.2K ohm 1/3W
R7102	06T00013L67	Carbon Film 1.2K ohm 1/3W
R7109	06T69013F41	Fuse 100 ohm 1/4W
R7110	06T69013F41	Fuse 100 ohm 1/4W
R7111	06T69013F35	Fuse 56 ohm 1/4W
R7112	06T69013F35	Fuse 56 ohm 1/4W
R7113	06T73184F41	M.O. 100 ohm 1W
or	06T00005L41	M.O. 100 ohm 1W
or	06T55177F41	Metal Film 100 ohm 1W
R7114	06T73184F41	M.O. 100 ohm 1W
or	06T00005L41	M.O. 100 ohm 1W
or	06T55177F41	Metal Film 100 ohm 1W
R7115	06T73182F09	M.O. 4.7 ohm 1/2W
or	06T00003L09	M.O. 4.7 ohm 1/2W
or	06T55175F09	Metal Film 4.7 ohm 1/2W
R7116	06T73182F09	M.O. 4.7 ohm 1/2W
or	06T00003L09	M.O. 4.7 ohm 1/2W
or	06T55175F09	Metal Film 4.7 ohm 1/2W
R7117	06T73182F09	M.O. 4.7 ohm 1/2W
or	06T00003L09	M.O. 4.7 ohm 1/2W
or	06T55175F09	Metal Film 4.7 ohm 1/2W
R7118	06T73182F09	M.O. 4.7 ohm 1/2W
or	06T00003L09	M.O. 4.7 ohm 1/2W
or	06T55175F09	Metal Film 4.7 ohm 1/2W
R7127	06T67397F01	Metal Plate 0.22 ohm 5W x 2
R7128	06T67397F01	Metal Plate 0.22 ohm 5W x 2
R7135	06T73182F17	M.O. 10 ohm 1/2W
or	06T00003L17	M.O. 10 ohm 1/2W
or	06T55175F17	Metal Film 10 ohm 1/2W
R7136	06T73182F17	M.O. 10 ohm 1/2W
or	06T00003L17	M.O. 10 ohm 1/2W
or	06T55175F17	Metal Film 10 ohm 1/2W

Note: ● : For Japanese model only (JA), ★ : For North American model only (UZ),

■ : For Canadian model only (UQ), ▲ : For West Germany model only (AD),

Others : Common

Symbol No.	Part No.	Description
R7137 or or R7138 or or	06T73186F73 06T00007L73 06T55179F73 06T73186F73 06T00007L73 06T55179F73	M.O. 2.2K ohm 2W M.O. 2.2K ohm 2W Metal Film 2.2K ohm 2W M.O. 2.2K ohm 2W M.O. 2.2K ohm 2W Metal Film 2.2K ohm 2W
R7139 or or R7140 or or	06T00007L17 06T73186F17 06T55179F17 06T00007L17 06T73186F17 06T55179F17	M.O. 10 ohm 2W M.O. 10 ohm 2W Metal Film 10 ohm 2W M.O. 10 ohm 2W M.O. 10 ohm 2W Metal Film 10 ohm 2W
VR7101 VR7102	18C41732G07 18C41732G07	Variable, 1K ohm B Variable, 1K ohm B
Tone P.C. Board		
IC's		
IC4201 ● IC4202 or ■ IC4202 or ★ IC4202 or ▲ IC4202 or	51T80136F01 51T80136F01 51S43471U02 51T80136F01 51S43471U02 51T80136F01 51S43471U02 51T65380F01 51S43471U02	M5238P M5238P μPC4558C M5238P μPC4558C M5238P μPC4558C BA4558C μPC4558C
Switch		
S4201	40T71731F01	Push-1KEY (TONE)
Capacitors		
C1201 C1202 C1203 C1204 ★ C4203 ■ C4203 ▲ C4203 ● C4203	23T61512F16 23T61512F16 23T61512F16 23T61512F16 08T52448F81 08T52448F81 08T52448F01 08T52448F81	Electrolytic 33 uF/25V Electrolytic 33 uF/25V Electrolytic 33 uF/25V Electrolytic 33 uF/25V Polypropylene 100 pF Polypropylene 100 pF Polypropylene 330 pF Polypropylene 100 pF

Symbol No.	Part No.	Description
★ C4204 ■ C4204 ▲ C4204 ● C4204 ▲ C4205 ▲ C4206 C4207 C4208 C4209 C4210 C4211 C4212 C4213 C4214 C4215 C4216 C4217 C4218 C4219 C4220	08T52448F81 08T52448F81 08T52448F01 08T52448F81 08T52448F81 08T52448F81 23T61512F29 23T61512F29 23T61512F29 23T61512F29 08T57851F12 08T57851F12 08T68632F13 08T68632F13 23T61512F25 23T61512F25 08T57851F30 08T57851F30 08T61642F20 08T61642F20	Polypropylene 100 pF Polypropylene 100 pF Polypropylene 330 pF Polypropylene 100 pF Polypropylene 100 pF Polypropylene 100 pF Electrolytic 10 uF/50V Electrolytic 10 uF/50V Electrolytic 10 uF/50V Electrolytic 10 uF/50V TF 0.082 uF TF 0.082 uF Polyester 0.01 uF Polyester 0.01 uF Electrolytic 1 uF/50V Electrolytic 1 uF/50V TF 3300 pF TF 3300 pF Mica 47 pF Mica 47 pF
Resistors		
R4203 R4204 R4217 R4218 VR4201 VR4202	06T00013L41 06T00013L41 06T00013L41 06T00013L41 18T71725F01 18T71725F01	Carbon Film 100 ohm 1/3W Carbon Film 100 ohm 1/3W Carbon Film 100 ohm 1/3W Carbon Film 100 ohm 1/3W Variable, 20K ohm B x 2, Variable, 20K ohm B x 2,
Speaker Switch P.C. Board		
IC		
IC8401	51T60527F01	μPC1237H
Transistors/Diodes		
Q8402 or D8401 or D8402	48T61054F01 48S43525F03 48T71195F01 48T68764F01 48S40477U01	2SC2458 2SC1815 1S1553 1S2471 1N4003

Note: ● : For Japanese model only (JA), ★ : For North American model only (UZ),
 ■ : For Canadian model only (UQ), ▲ : For West Germany model only (AD),
 Others : Common

Symbol No.	Part No.	Description
Relay/Switches		
RL8401	80T70844F02	Relay, G5R-2232P
S1401	40T70311F01	Power SLDBIP
S8401	40T71729F01	Push-2KEY
Fuses		
★ F1401	65T52486F12	MF61NM, 5A-125V
■ F1401	65T52486F12	MF61NM, 5A-125V
▲ F1401	65T42077U21	Semko, T-3.15A
● F1401	65T55050F16	MF60NR, 5A-125V
Capacitors		
▲ C1401	08T57437F09	Ceramic 0.01 uF
C1402	08T57437F09	Ceramic 0.01 uF
C8401	23S40657F14	Electrolytic 100 uF/16V
C8402	23S40657F14	Electrolytic 100 uF/16V
C8403	23T68328F19	Electrolytic 470 uF/16V
Resistors (M.O.: Metal Oxide Film Resistor)		
R8411	06T00007L49	M.O. 220 ohm 2W
or	06T73186F49	M.O. 220 ohm 2W
or	06T55179F49	Metal Film 220 ohm 2W
R8412	06T00007L49	M.O. 220 ohm 2W
or	06T73186F49	M.O. 220 ohm 2W
or	06T55179F49	Metal Film 220 ohm 2W
Amp P.C. Board (L ch)		
Transistors		
Q7601	48T72887F01	FET, 2SK332
Q7603	48T72598F01	2SC2291
Q7605	48T72597F01	2SA995
Q7607	48T72889F01	2SC2910
or	48T60752F01	2SC2705
Q7609	48T71752F01	FET, 2SJ109
Q7611	48T71752F01	FET, 2SJ109
Q7613	48T72888F01	2SA1208
or	48T60751F01	2SA1145
Q7615	48T72889F01	2SC2910
or	48T60752F01	2SC2705
Q7617	48T72888F01	2SA1208
or	48T60751F01	2SA1145

Symbol No.	Part No.	Description
Diodes		
ZD7601	48T52739F31	Zener, HZ5C-1
or	48T52739F32	Zener, HZ5C-2
ZD7603	48T52739F31	Zener, HZ5C-1
or	48T52739F32	Zener, HZ5C-2
ZD7605	48T52739F31	Zener, HZ5C-1
or	48T52739F32	Zener, HZ5C-2
ZD7607	48T52739F31	Zener, HZ5C-1
or	48T52739F32	Zener, HZ5C-2
Capacitors		
C7601	08T52448F81	Polypropylene 100 pF
C7607	08T52448F05	Polypropylene 470 pF
C7617	08T61642F22	Mica 56 pF
● C7623	08T57851F13	TF 0.1 uF
■ C7623	08T68632F25	Polyester 0.1 uF
▲ C7623	08T68632F25	Polyester 0.1 uF
★ C7623	08T68632F25	Polyester 0.1 uF
Resistors		
★ R7603	06T00013L61	Carbon Film 680 ohm 1/3W
■ R7603	06T00013L61	Carbon Film 680 ohm 1/3W
▲ R7603	06T00013L61	Carbon Film 680 ohm 1/3W
● R7603	06T00013L41	Carbon Film 100 ohm 1/3W
Amp P.C. Board (R ch)		
Transistors		
Q7602	48T72887F01	FET, 2SK332
Q7604	48T72598F01	2SC2291
Q7606	48T72597F01	2SA995
Q7608	48T72889F01	2SC2910
or	48T60752F01	2SC2705
Q7610	48T71752F01	FET, 2SJ109
Q7612	48T71752F01	FET, 2SJ109
Q7614	48T72888F01	2SA1208
or	48T60751F01	2SA1145
Q7616	48T72889F01	2SC2910
or	48T60752F01	2SC2705
Q7618	48T72888F01	2SA1208
or	48T60751F01	2SA1145

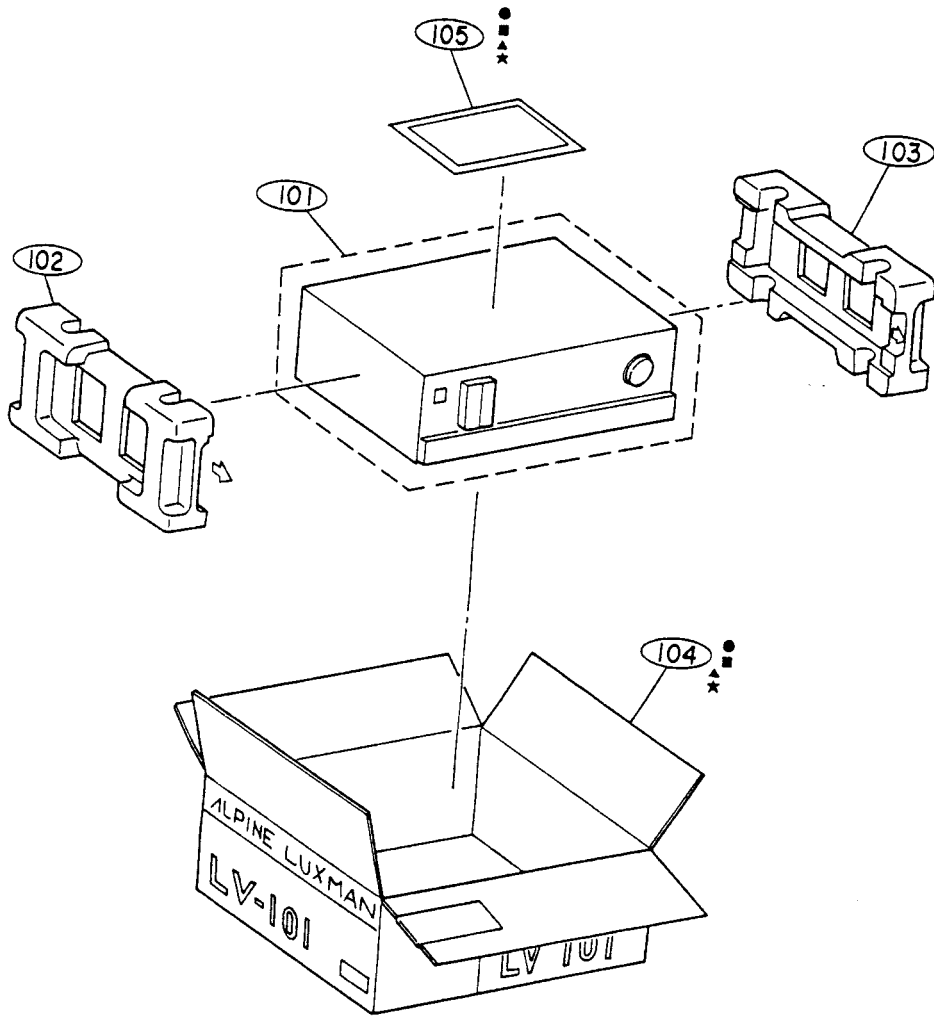
Note: ● : For Japanese model only (JA), ★ : For North American model only (UZ),
 ■ : For Canadian model only (UQ), ▲ : For West German model only (AD),
 Others : Common

Symbol No.	Part No.	Description
Diodes		
ZD7602 or ZD7604 or ZD7606 or	48T52739F31 48T52739F32 48T52739F31 48T52739F32 48T52739F31 48T52739F32	Zener, HZ5C-1 Zener, HZ5C-2 Zener, HZ5C-1 Zener, HZ5C-2 Zener, HZ5C-1 Zener, HZ5C-2
ZD7608 or	48T52739F31 48T52739F32	Zener, HZ5C-1 Zener, HZ5C-2
Capacitors		
C7602 C7608 C7618 ● C7624 ■ C7624 ▲ C7624 ★ C7624	08T52448F81 08T52448F05 08T61642F22 08T57851F13 08T68632F25 08T68632F25 08T68632F25	Polypropylene 100 pF Polypropylene 470 pF Mica 56 pF TF 0.1 uF Polyester 0.1 uF Polyester 0.1 uF Polyester 0.1 uF
Resistors		
★ R7604 ■ R7604 ▲ R7604 ● R7604	06T00013L61 06T00013L61 06T00013L61 06T00013L41	Carbon Film 680 ohm 1/3W Carbon Film 680 ohm 1/3W Carbon Film 680 ohm 1/3W Carbon Film 100 ohm 1/3W
Video P.C. Board		
Diode		
D1501	48S40477U01	1N4003
Relay/Jack		
RL9501 J9501	80B42571P03 09T72604F01	Relay (G2E) 12V Plate, Pin-3P
Control P.C. Board		
Switches		
S8302 S8303 S8304 S8305	40T72466F01 40T72465F01 40T72462F01 40T72463F01	Push-6KEY (PHONO, CD, TUNER, TAPE 1, TAPE 2, AV/AUX) Push-1KEY (CD-ST) Push-1KEY (LOUDNESS) Push-2KEY (SUBSONIC, MM/MC)

Symbol No.	Part No.	Description
Capacitors		
C1304 ▲ C8323 ▲ C8324 C8325 C8326 ▲ C8327 ● C8327 ■ C8327 ★ C8327 ▲ C8328 ● C8328 ■ C8328 ★ C8328 ▲ C8329 ● C8329 ■ C8329 ★ C8329 ▲ C8330 ● C8330 ■ C8330 ★ C8330	08T55260F50 08S44505P37 08S44505P37 08T52448F11 08T52448F11 08T68632F15 08T57851F03 08T57851F03 08T57851F03 08T57851F03 08T68632F15 08T57851F03 08T57851F03 08T57851F03 08T57851F03 08T68632F17 08T68632F17 08T68632F17 08T57851F09 08T68632F17 08T68632F17 08T68632F17	Ceramic 1000 pF Ceramic 100 pF Ceramic 100 pF Polypropylene 820 pF Polypropylene 820 pF Polyester 0.015 uF TF 0.015 uF TF 0.015 uF TF 0.015 uF Polyester 0.015 uF TF 0.015 uF TF 0.015 uF TF 0.015 uF TF 0.047 uF Polyester 0.022 uF Polyester 0.022 uF Polyester 0.022 uF TF 0.047 uF Polyester 0.022 uF Polyester 0.022 uF Polyester 0.022 uF Polyester 0.022 uF
Resistors		
VR8301 VR8302	18T71728F01 18T71727F01	Variable, 250K ohm Variable, 100K ohm B x 2 <i>Vol. Pot</i>
Miscellaneous		
★ C1403 ■ C1403 ● C1403 ★ J1 ■ J1 ● J1 ▲ J2 J8001 LD8801 LD8802	08T57437F09 08T57437F09 08T57437F09 09T68841F02 09T68841F02 09T68841F02 09T51831F01 09T66672F01 48T66616F02 48T60487F01	Capacitor, Ceramic, 0.01μF Capacitor, Ceramic, 0.01μF Capacitor, Ceramic, 0.01μF AC Power Outlet AC Power Outlet AC Power Outlet Socket, Switch M-1615 Jack, Headphone LED, SLD-54VR3 (RED) LED, SLD-54MG3 (GRN)

Note: ● : For Japanese model only (JA), ★ : For North American model only (UZ),
■ : For Canadian model only (UQ), ▲ : For West Germany model only (AD),
Others : Common

Packing Method View



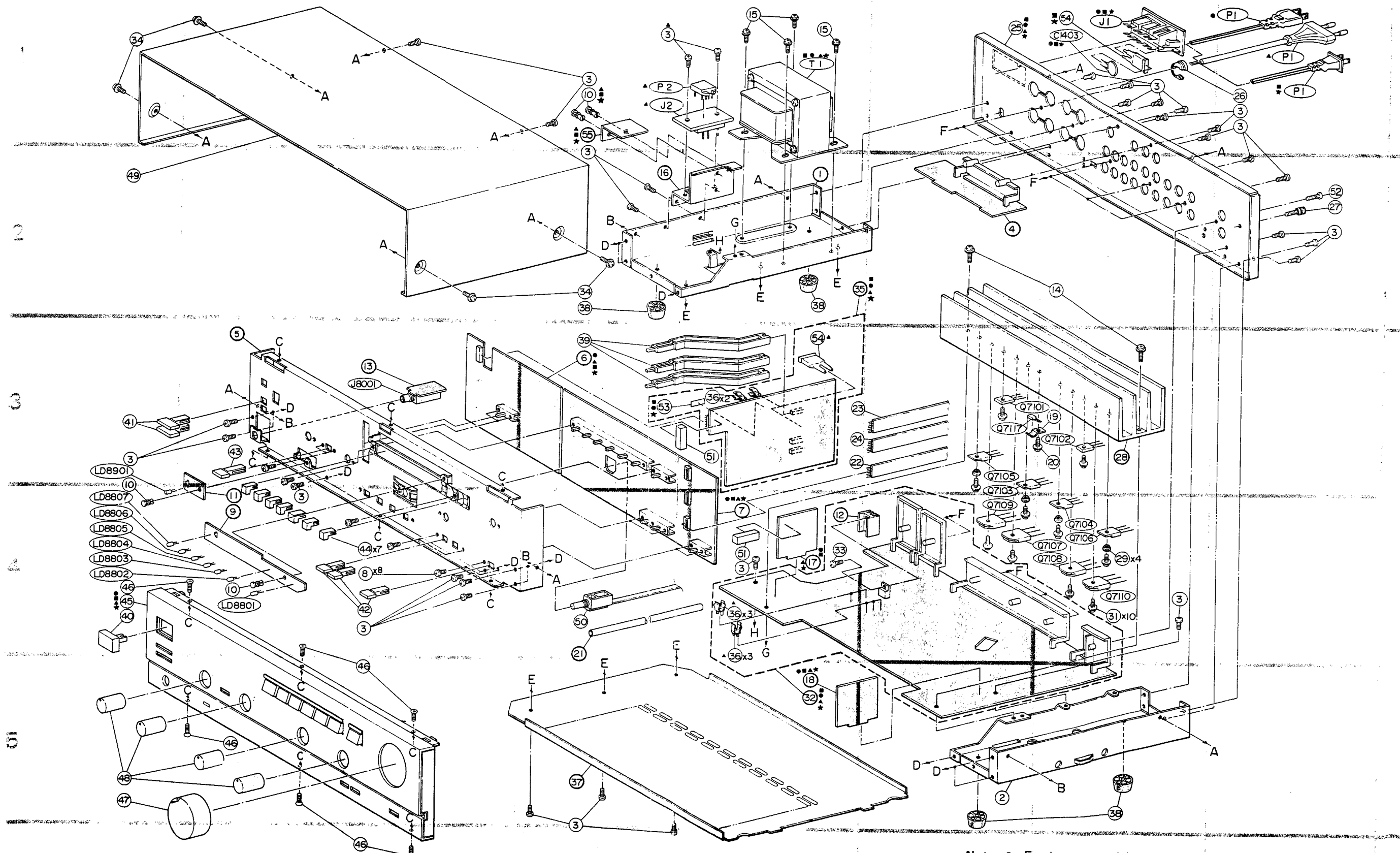
Packing Assembly Parts List

Symbol No.	Part No.	Description
	101	56B40990T34 Sack, Polyethylene
	102	56D72673F01 Tray, Packing (L)
	103	56D72673F02 Tray, Packing (R)
●	104	56S71001F30 Carton, Packing (Individual)
★	104	56S71001F58 Carton, Packing (Individual)
■	104	56S71001F58 Carton, Packing (Individual)
▲	104	56S71001F58 Carton, Packing (Individual)
●	105	68P73333F11 Owners, Manual
★	105	68P73333F80 Owners, Manual
■	105	68P73333F74 Owners, Manual
▲	105	68P73333F74 Owners, Manual

Symbol No.	Part No.	Description

Note: ● : For Japanese model only (JA), ★ : For North American model only (UZ),
 ■ : For Canadian model only (UQ), ▲ : For West Germany model only (AD),
 Others : Common

Exploded View (Cabinet)



Note: ● : For Japanese model only (JA), ★ : For North American model only (U2),
 ■ : For Canadian model only (UQ), ▲ : For West Germany model only (AD),
 Others : Common

Cabinet Assembly Parts List

NOTE: The parts without part numbers are not supplied.

Symbol No.	Index	Part No.	Description
	3	03S71031F04	Screw, Bind (M3 x 8)
	8 4-C	03D40014G04	Screw, Pan (M3 x 6)
	10	05B41635J02	Rivet, Push
	14 2-G	03S40018G06	Screw, Tapping (M3 x 16)
	15 1-E	03S40036U12	Screw, Pan (M4 x 6)
	19 3-G	07R51146F01	Support, Transistor
	20 3-G	03C40121T17	Screw, Pan (M3 x 8)
	22 3-E	01T72893F03	SMSJ, Shield
	23 3-E	01T72893F04	SMSJ, Shield
	24 3-E	01T72893F06	SMSJ, Shield
●	25 1-F	15C72655F02	Cover, Rear
★	25 1-F	15C72655F06	Cover, Rear
■	25 1-F	15C72655F06	Cover, Rear
▲	25 1-F	15C72655F04	Cover, Rear
	26 1-H	43B41625J02	Support, Cord
	27 2-H	29T66964F01	Terminal, GND
	29 4-G	43T45472F01	Bushing, YC40B
	31 4-G	03C40121T13	Screw, Pan (M5 x 15)
	33 4-E	03C40121T17	Screw, Pan (M3 x 8)
	34	03S40036U01	Screw, Pan (M4 x 8)
●	36 4-E	09T51960F01	Holder, Fuse
★	36 4-E	09T51960F01	Holder, Fuse
■	36 4-E	09T51960F01	Holder, Fuse
▲	36 4-E	09T51410F01	Holder, Fuse
	38	75A66855F01	Pad, Trannleg
	39 3-D	45B57186F01	Lever, Knob
	40 4-A	36A67330F01	Knob, Power
	41 2-A	36A67331F01	Knob, Push (SP)
	42 4-C	36A67333F01	Knob, Push
	43 3-B	36A72661F01	Knob, Push Tone
	44 4-C	43A67342F01	Spacer, Switch
●	45 4-A	01V73700F74	Assembly, Front Panel
★	45 4-A	01V74400F20	Assembly, Front Panel
■	45 4-A	01V74400F20	Assembly, Front Panel
▲	45 4-A	01V74400F20	Assembly, Front Panel
	46	03S40012G98	Screw, Tapping (M3 x 8)
	47 5-A	36B67336F01	Knob, Main Volume
	48 5-A	36A67337F01	Knob, Tone Volume
	49 2-A	15D72658F01	Cover, Top
	50 4-D	40T72460F01	Switch, Rotary
	51	75S62361F27	Cushion
	52 2-H	03S40012G99	Screw, Tapping (M3 x 10)

Symbol No.	Index	Part No.	Description
★	54 1-G	43T53136F01	Bush, Capacitor
■	54 1-G	43T53136F01	Bush, Capacitor
▲	54 1-G	43T53136F01	Bush, Capacitor

Note: ● : For Japanese model only (JA), ★ : For North American model only (UZ),
 ■ : For Canadian model only (UQ), ▲ : For West Germany model only (AD),
 Others : Common

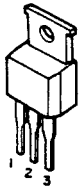
Parts List by Specific Countries

Symbol No.	Description	POWER SOURCE			
		UQ ■ 120V	UZ ★ 120V	AD ▲ 220V	JA ● 100V
		Canada	North America	West Germany	Japan
C1402	Capacitor	Not Used	Not Used	08T57437F09	Not Used
C1403	Capacitor	08T57437F09	08T57437F09	Not Used	08T57437F09
C2101	Capacitor	08T52448F81	08T52448F81	08T61642F16	08T52448F81
C2102	Capacitor	08T52448F81	08T52448F81	08T61642F16	08T52448F81
C2103	Capacitor	Not Used	Not Used	08T44505P41	Not Used
C2104	Capacitor	Not Used	Not Used	08T44505P41	Not Used
C2105	Capacitor	08T57851F32	08T68632F09	08T68632F09	08T68632F09
C2106	Capacitor	08T57851F32	08T68632F09	08T68632F09	08T68632F09
C2113	Capacitor	08T57851F03	08T68632F15	08T68632F15	08T68632F15
C2114	Capacitor	08T57851F03	08T68632F15	08T68632F15	08T68632F15
C2115	Capacitor	08T57851F10	08T68632F22	08T68632F22	08T68632F22
C2116	Capacitor	08T57851F10	08T68632F22	08T68632F22	08T68632F22
C2119	Capacitor	08T57851F34	08T68632F11	08T68632F11	08T68632F11
C2120	Capacitor	08T57851F34	08T68632F11	08T68632F11	08T68632F11
C4101	Capacitor	Not Used	Not Used	08S40805F07	Not Used
C4102	Capacitor	Not Used	Not Used	08S40805F07	Not Used
C4103	Capacitor	Not Used	Not Used	08S40805F07	Not Used
C4104	Capacitor	Not Used	Not Used	08S40805F07	Not Used
C4105	Capacitor	Not Used	Not Used	08S40805F07	Not Used
C4106	Capacitor	Not Used	Not Used	08S40805F07	Not Used
C4107	Capacitor	Not Used	Not Used	08S40805F07	Not Used
C4108	Capacitor	Not Used	Not Used	08S40805F07	Not Used
C4109	Capacitor	Not Used	Not Used	08S40805F07	Not Used
C4110	Capacitor	Not Used	Not Used	08S40805F07	Not Used
C4203	Capacitor	08T52448F81	08T52448F81	08T52448F01	08T52448F 81
C4204	Capacitor	08T52448F81	08T52448F01	08T52448F01	08T52448F 81
C4205	Capacitor	Not Used	Not Used	08T52448F81	Not Used
C4206	Capacitor	Not Used	Not Used	08T52448F81	Not Used
C7109	Capacitor	08T52448F21	08T68632F05	08T68632F05	08T68632F05
C7110	Capacitor	08T52448F21	08T68632F05	08T68632F05	08T68632F05
C7111	Capacitor	08T52448F21	08T68632F05	08T68632F05	08T68632F05
C7112	Capacitor	08T52448F21	08T68632F05	08T68632F05	08T68632F05
C7121	Capacitor	08T57851F13	08T68632F25	08T68632F25	08T68632F25
C7122	Capacitor	08T57851F13	08T68632F25	08T68632F25	08T68632F25
C7123	Capacitor	08T57851F13	08T68632F25	08T68632F25	08T68632F25
C7124	Capacitor	08T57851F13	08T68632F25	08T68632F25	08T68632F25
C7127	Capacitor	Not Used	Not Used	08S40805F13	Not Used
C7128	Capacitor	Not Used	Not Used	08S40805F13	Not Used
C7129	Capacitor	Not Used	Not Used	08S40805F21	Not Used
C7130	Capacitor	Not Used	Not Used	08S40805F21	Not Used

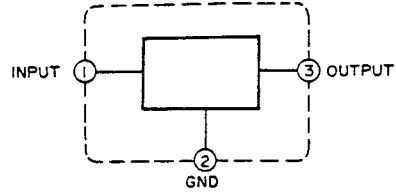
Symbol No.	Description	POWER SOURCE			
		UQ ■ 120V	UZ ★ 120V	AD ▲ 220V	JA ● 100V
		Canada	North America	West Germany	Japan
C7141	Capacitor	Not Used	Not Used	08S40805F13	Not Used
C7142	Capacitor	Not Used	Not Used	08S40805F13	Not Used
C7623	Capacitor	08T68632F25	08T68632F25	08T68632F25	08T57851F13
C7624	Capacitor	08T68632F25	08T68632F25	08T68632F25	08T57851F13
C8323	Capacitor	Not Used	Not Used	08S44505P37	Not Used
C8324	Capacitor	Not Used	Not Used	08S44505P37	Not Used
C8327	Capacitor	08T57851F03	08T57851F03	08T68632F15	08T57851F03
C8328	Capacitor	08T57851F03	08T57851F03	08T68632F15	08T57851F03
C8329	Capacitor	08T68632F17	08T68632F17	08T57851F09	08T68632F17
C8330	Capacitor	08T68632F17	08T68632F17	08T57851F09	08T68632F17
F1101	Fuse	Not Used	Not Used	65T42077U13	Not Used
F1102	Fuse	Not Used	Not Used	65T42077U13	Not Used
F1103	Fuse	Not Used	Not Used	65T42077U16	Not Used
F1401	Fuse	65T52486F12	65T52486F12	65T42077U21	65T55050F16
IC4202	IC	51T80136F01	51T80136F01	51T65380F01	51T80136F01
J1	Outlet, AC	09T68841F02	09T68841F02	Not Used	09T68841F02
J2	Socket, Switch	Not Used	Not Used	09T51831F01	Not Used
L2101	Coil	Not Used	Not Used	24T63929F26	Not Used
L2102	Coil	Not Used	Not Used	24T63929F26	Not Used
L2103	Coil	Not Used	Not Used	24T63929F26	Not Used
L2104	Coil	Not Used	Not Used	24T63929F26	Not Used
P1	Plug, AC Cord	28T55335F02	28T55335F02	28T43812P04	28T66771F01
P2	Plug, Switch	Not Used	Not Used	09T51830F01	Not Used
R7603	Resistor	06T00013L61	06T00013L61	06T00013L61	06T00013L41
R7604	Resistor	06T00013L61	06T00013L61	06T00013L61	06T00013L41
T1	Trans, Power	25T74274F01	25T74274F01	25T74418F01	25T74135F01
25	Cover, Rear	15C72655F06	15C72655F06	15C72655F04	15C72655F02
36	Holder, Fuse	09T51960F01	09T51960F01	09T51410F01	09T51960F01
45	Front Panel	01V74400F20	01V74400F20	01V74400F20	01V73700F74
54	Bush, Capacitor	43T53136F01	43T53136F01	43T53136F01	Not Used
104	Carton, Packing	56S71001F58	56S71001F58	56S71001F58	56S71001F30
105	Owner's Manual	68P73333F74	68P73333F80	68P73333F74	68P73333F11

Semi-Conductor Lead Identifications

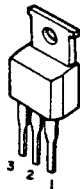
78M18 —: IC1101
 NJM78M18A —: IC1101



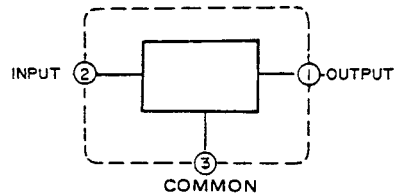
1: INPUT
 2: GND
 3: OUTPUT



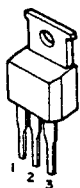
79M18 —: IC1102
 NJM79M18A —: IC1102



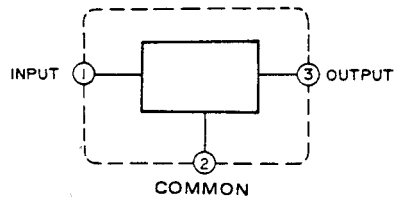
1: OUTPUT
 2: INPUT
 3: COMMON



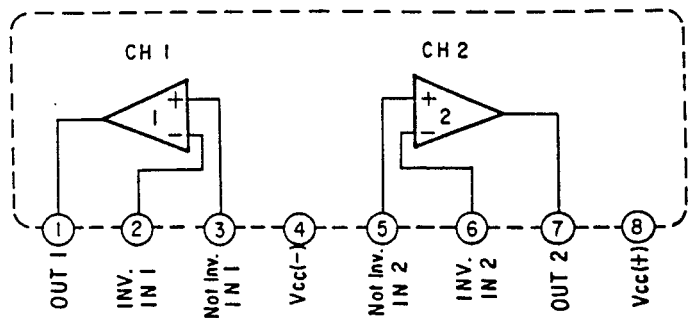
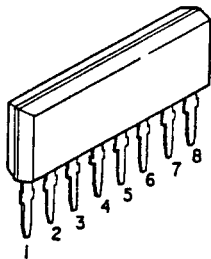
NJM7812 —: IC1103
 AN7812 —: IC1103



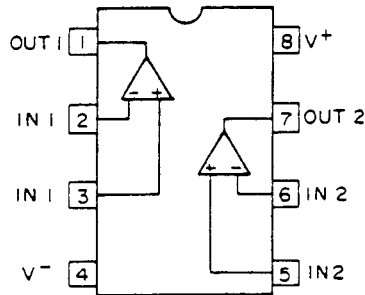
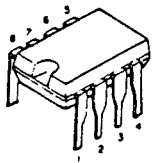
1: INPUT
 2: COMMON
 3: OUTPUT



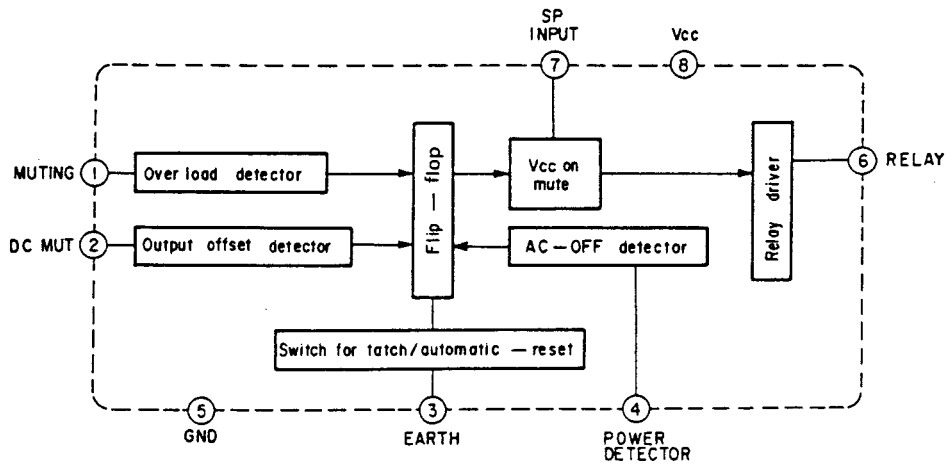
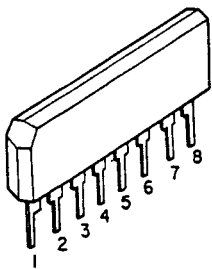
M5220L: IC2101



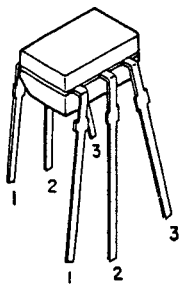
M5238P: IC4201, 4202 (JA, UZ, UQ Model Only)
 μPC4558C: IC4202
 BA4558C: IC4202 (AD Model Only)



μPC1237H: IC8401

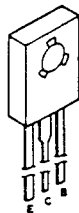


2SK332: Q2101, 2102, 7601, 7602



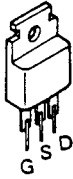
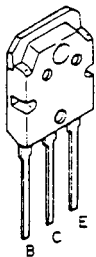


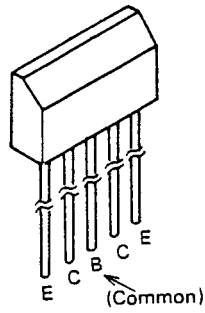


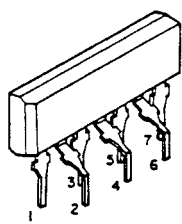
- 1. Drain
- 2. Gate
- 3. Source

2SC1904: Q7101, 7102



2SC3423: Q7101, 7102



<p>2SK214: Q7103, 7104 2SJ77: Q7105, 7106</p> 	<p>2SC3180: Q7107, 7108 2SA1263: Q7109, 7110</p> 	<p>2SC2458: Q7111, 7112, 8402 2SA1048L: Q7113, 7114 2SC3378: Q7115, 7116</p> 
<p>2SC1815: Q7111, 7112, 8402 2SA1015: Q7113, 7114 2SC2240: Q7115, 7116 2SA970: Q7117 2SA1208: Q7613, 7614, 7617, 7618</p> 	<p>2SC2291: Q7603, 7604 2SA995: Q7605, 7606</p> 	<p>2SC2910: Q7607, 7608, 7615, 7616</p> 
<p>2SC2705: Q7607, 7608, 7615, 7616 2SA1145: Q7613, 7614, 7617, 7618</p> 	<p>2SJ109: Q7609, 7610, 7611, 7612</p>  <ul style="list-style-type: none"> 1. Drain 1 2. Gate 1 3. Source 1 4. Sub-straight 5. Source 2 6. Gate 2 7. Drain 2 	